

TEAC

SERVICE MANUAL

CT-M341

14" CTV

= CTM340.

SPECIFICATION

SYSTEM : PAL-B/G (AUSTRALIA)

DESTINATION :

CHANNEL VHF LOW : 0 - 5 CH
COVERAGE VHF HIGH : 5A - 11 CH
UHF : 21 - 65 CH

FREQUENCY RANGE VHF LOW : 46.25 - 102.25 MHz
VHF HIGH : 138.25 - 216.25 MHz
UHF : 471.25 - 823.25 MHz

SCANNING LINES : 625 LINES
HORIZONTAL : 15625 Hz
VERTICAL : 50 Hz

IF FREQUENCY VIDEO : 38.9 MHz
SOUND : 33.4 MHz

VISION/SOUND SEPARATION : 5.5 MHz

SENSITIVITY VHF LOW : 32 uV
UHF HIGH : 56 uV
UHF : 80 uV

OUTPUT POWER MAXIMUM : 1300 mW
10% THD : 1000 mW

CRT : 14" (35.5cm) DIAGONAL, 22.5 mm NECK
DIAMETE 90° DEFLECTION ANGLE

SPEAKER : 3" 16 OHM 2W

ANTENNA IMPEDANCE : 75 OHM

POWER CONSUMPTION : 60 Watts

A. Preparation Step (See Fig. 1)

- (i) Connect AGC bias voltage to TP101, the DC supply should be turned off this time.
- (ii) Connect 14V B+ bias voltage to D404 (-) and Ground.
- (iii) Connect sweep generator to tuner test point and Ground.
- (iv) Connect waveform detector to TP105 and Ground.

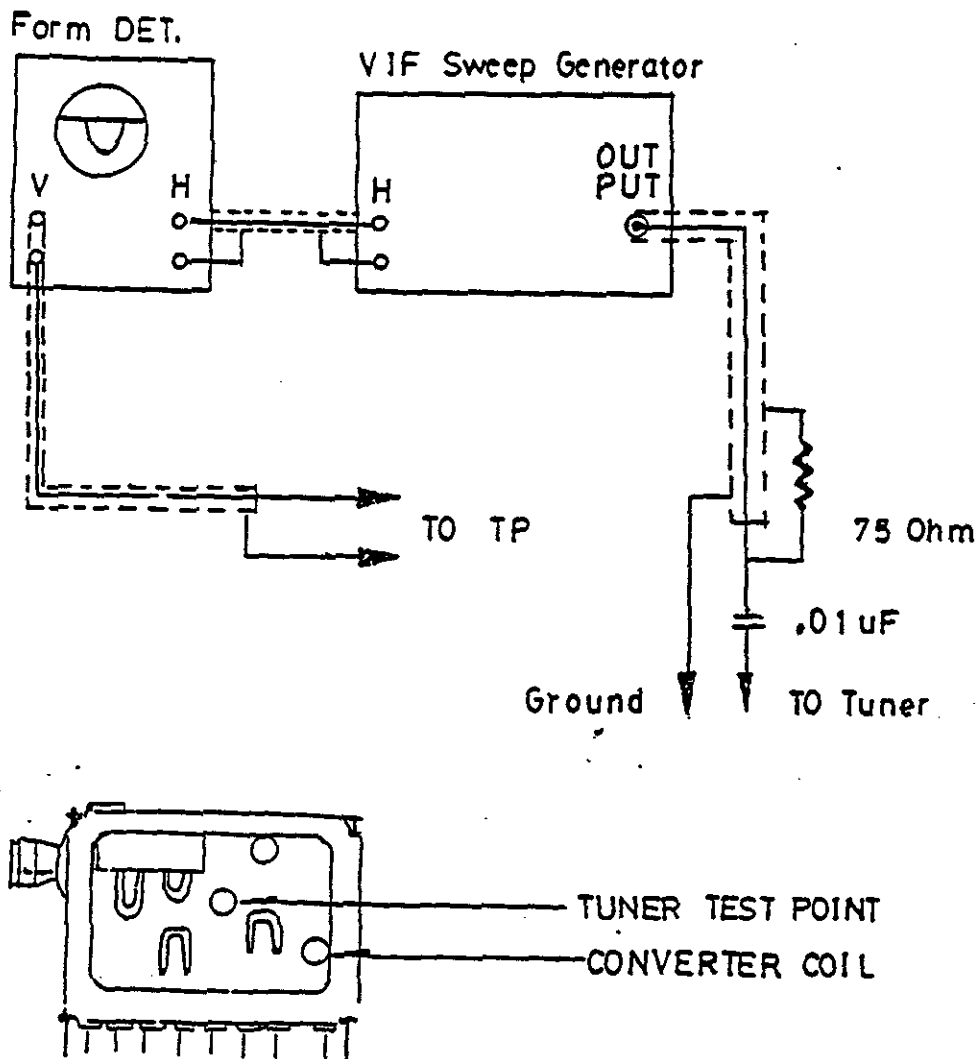


Fig.1

B. Tank Coil Alignment Step (See Fig. 2)

- (i) Calibrate the Division of waveform Detector equal to 100 mV per div.
- (ii) The output of sweep generator should be -50dB.
- (iii) Connect TP001 to Ground.
- (iv) Adjust AGC bias until the output waveform equal to 1V p.p. (10 div.)

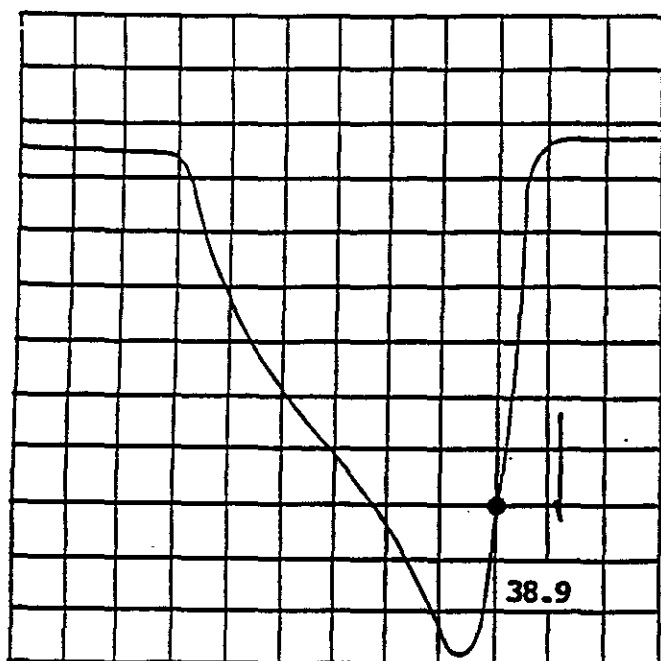


Fig. 2

- (v) Turn T101 until the marker 39.5MHz falls to the lowest point as Fig.2.

C. VIF Alignment

- (i) Connect 100 ohm resistor between TP103 and TP104.
- (ii) Adjust T104 until obtain the maximum waveform amplitude. (If Provided.)
- (iii) Adjust AGC bias, and maintain the waveform achieve 1V pp.

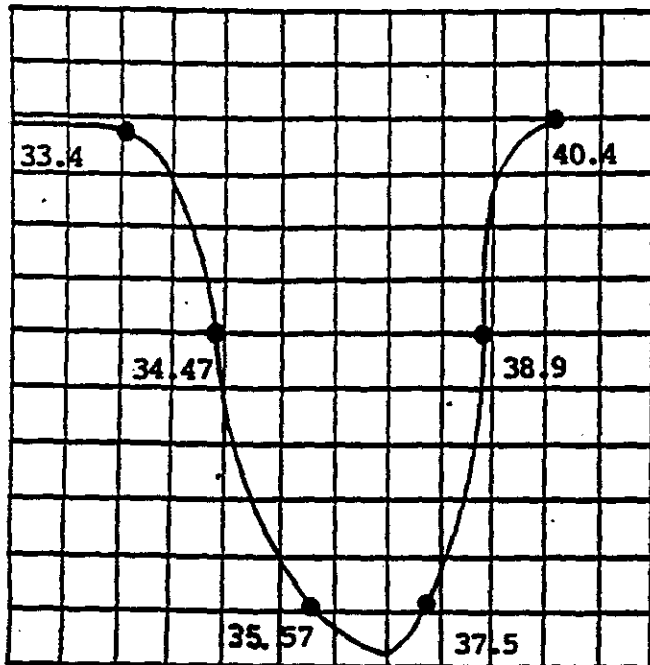


Fig.3

B. SIF Alignment

- (i) Connect the sweep generator to TP105.
- (ii) Connect waveform detect to TP106.
- (iii) The output of sweep generator should be -50dB.
- (iv) Adjust T102 to obtain the waveform as Fig.5.

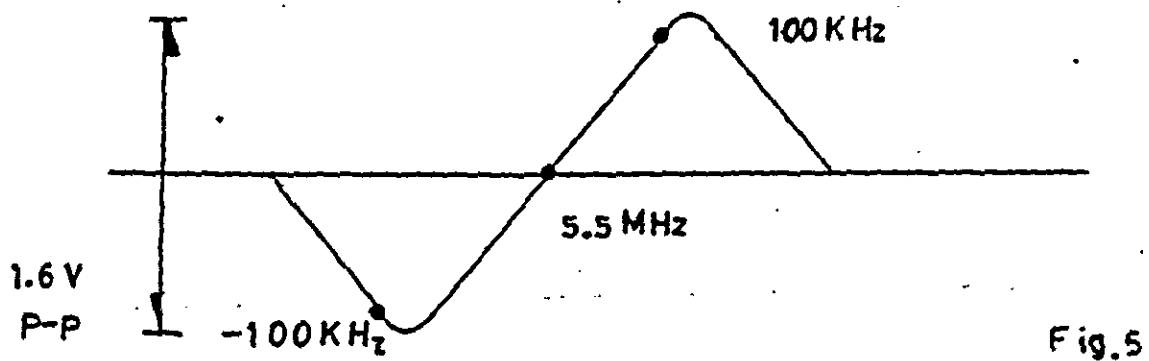


Fig.5

D. AFC Alignment

- (i) Remove the 100 ohm resistor from TP103 and TP104.
- (ii) Connect the waveform detector to TP102. The output of sweep generator should be -40dB.
- (iii) Adjust AGC bias to 5V.
- (iv) Adjust T103 to obtain waveform as Fig.4.

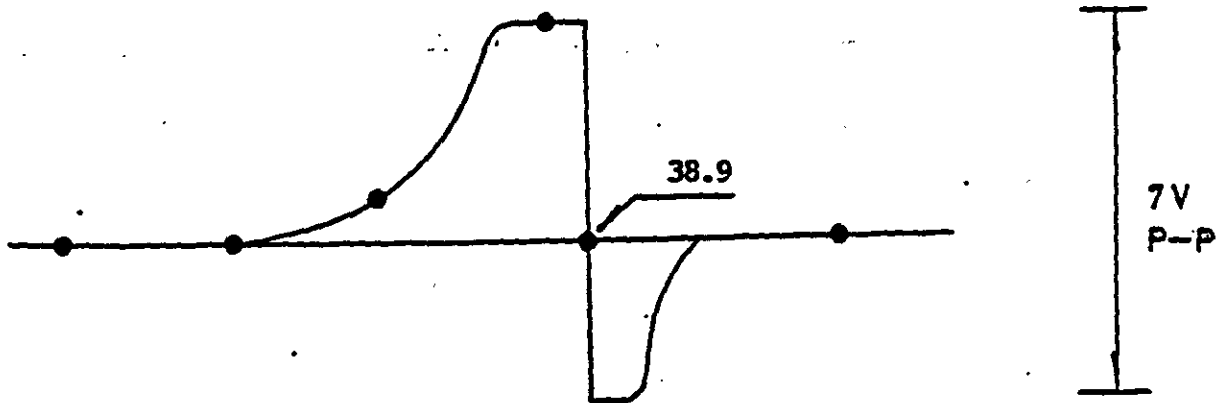


Fig.4

B+ ADJUSTMENT

- 1) Connect a digital volt meter to TPB+ and ground.
- 2) Set Brightness, contrast and colour to maximum.
- 3) Adjust VR901 and obtain a reading of 112V.

HORIZONTAL CIRCUIT ADJUSTMENT

- 1) Receive Monoscope Pattern input signal 80dBuV.
- 2) Connect terminal TP305 and the earth with the short Jumper wire.
- 3) Adjust VR304 to obtain the picture running at center.
- 4) Adjust VR303 to obtain the picture at center.

VERTICAL CIRCUIT ADJUSTMENT

- 1) Receive the Monoscope Pattern.
- 2) Adjust V-size (VR301) to obtain a normal picture.

WHITE BALANCE ALIGNMENT STEP

(deguss the picture by deguassing coil if necessary)

- 1) Turn the brightness, contrast and picture control to minimum value.
- 2) Turn VR501,503,505 to middle position. Turn VR502,504 to minimum position.
- 3) Turn VR306 to middle position.
- 4) Receive a black and white pattern.
- 5) Set S301 to service position.
- 6) Turn off the screen voltage.
- 7) Turn on the screen control volume on flyback transformer, & a horizontal red line appears.
- 8) Adjust VR502 to obtain a yellow line.
- 9) Adjust VR504 to obtain a white line.
- 10) Set S301 to normal position.
- 11) Adjust VR503, 505 to make the picture uniformly white.(9300°K)

SUB-BRIGHTNESS ALIGNMENT

- 1) Receive a colour bar pattern.
- 2) Turn the brightness, contrast and colour to minimum.
- 3) Adjust VR306 until the brightest bar can just be seen.

FOCUS ALIGNMENT

- 1) Set the brightness and contrast to middle position.
- 2) Receive a monoscope pattern.
- 3) Adjust focus control to obtain sharpest picture.

AGC ALIGNMENT

- 1) Receive CH69 (UHF) and input field strength in 63dB ±3dB input.
- 2) Adjust VR101 to the point where noise is disappeared.

PAL COLOUR ALIGNMENT

- (1) Receive Philips Pattern.
- (2) Connect Oscilloscope to TP303
- (3) Set the service switch (S301) to service position.
- (4) Set color control to maximum position.
- (5) Adjust T301, 302 and VR305 to obtain the waveform as Fig.6.

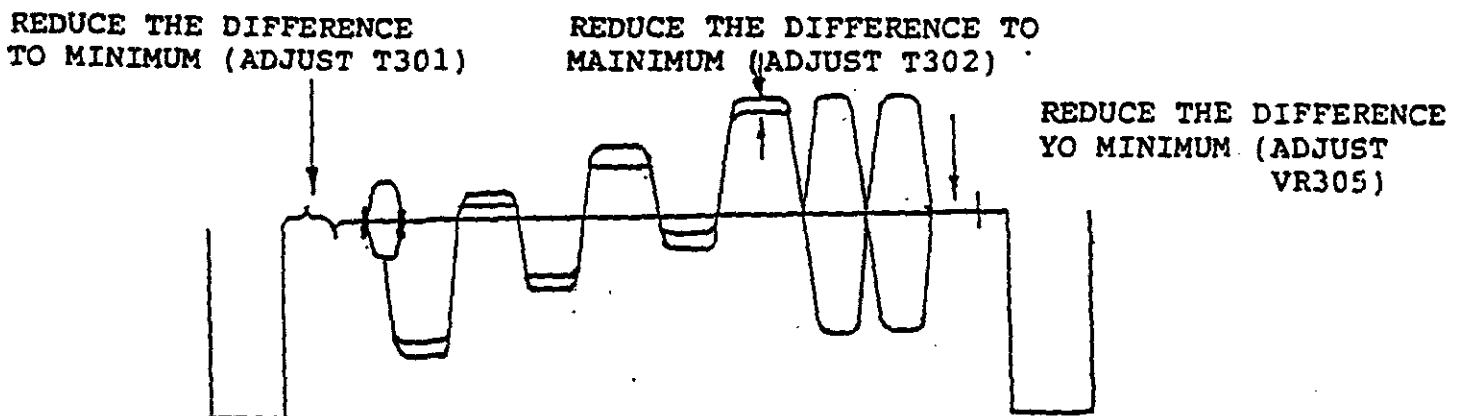


Fig.6

COLOR SYNC. ADJUSTMENT

- (1) Receive Philips pattern and warm up for five minutes.
- (2) Connect terminal TP302 and the earth with the short Jumper wire.
- (3) Connect the TP306 and TP301 with 10K OHM resistor so that the color killer turns off.
- (4) Then the color stripes appear on the screen when the adjustment is inconnect. Adjust the color sync (CT301) so that the PHILIPS pattern stands still.
- (5) Remove the 10K ohm resistor and jumper wire.

VOLTAGE TABLE FOR IC

SYMBOL PIN NO.	IC101	IC102	IC601	IC301	
	(V)	(V)	(V)	PAL	SECAM
1	4.4	4	4.86	3.7	
2	0	1.9	4.86	12.23	
3	0	7	0	4.55	
4	1.6	0	0	4.37	
5	GEN	6.64	NC	1.1	
6	13.22	4.85	NC	9.6	
7	11.55	4.87	4.86	6.1	
8	2.1	4.87	2.4	9.5	
9	11.67	4.85	4.84	6.1	
10		4.64	0.67	7.5	
11		3.97	6.6	0	
12		GEN	4.13	9.4	
13		4.76	9.3	9.9	
14		8.34	4.85	3.6	
15		3.55	0	3.6	
16		4.17	1.3	8.6	
17		7.93	1.9	4.2	
18		7.93	GEN	8.8	
19		4.17	GEN	4.2	
20		11.66	0.86	7.5	
21		4.5	GEN	7.5	
22		4.5	1.46	7.4	
23		2.79	4.86	5.8	
24		4.5	1.6	0.8	
25			4.86	4	
26			0.2	8	
27			0.2	7.9	
28			0.2	-0.4	
29			0.56	2.9	
30			0	GEN	
31			0	GEN	
32			0.34	0.4	
33			4.1	8.6	
34			2.26	4.7	
35			2.27	5.1	
36			0.1	3.2	
37			NC	-0.2	
38			4.7	0.8	
39			4.0	4	
40			0.2	6.5	
41			0.08	7.8	
42			4.86	9.4	

NOTE : VOLTAGE ARE TAKEN UNDER TUNED CONDITION WITH

- CONTRAST : Maximum Position
- BRIGHTNESS : Maximum Position
- COLOR : Maximum Position
- SIGNAL INPUT : 80 dBV
- CHANNEL SETTING : The Last Channel of UHF High
- SIGNAL PATTERN : Colour Bar

VOLTAGE TABLE FOR IC

SYMBOL PIN NO.	IC201 (V)	IC401 (V)	IC701 (V)			
1	0.7	GEN	GEN			
2	0.5	13	GEN			
3	9.5	25.9	3			
4	7.8	0.8	0			
5	16.4	0.3	3			
6	16.4	1.1	0			
7	10.2	25.7	3			
8			3			
9			3			
10			3			
11			NC			
12			0			
13			0			
14			0			
15			0			
16			0			
17			0			
18			0			
19			0			
20			3			

NOTE : VOLTAGE ARE TAKEN UNDER TUNED CONDITION WITH

- CONTRAST : Maximum Position
- BRIGHTNESS : Maximum Position
- COLOR : Maximum Position
- SIGNAL INPUT : 80 dBuV
- CHANNEL SETTING : The Last Channel of UHF High
- SIGNAL PATTERN : Colour Bar

VOLTAGE TABLE FOR TRANSISTOR

SYMBOL	B (V)	C (V)	E (V)	SYMBOL	B (V)	C (V)	E (V)
Q001	4.3	12.29	3.64	Q505	7.45	124.2	6.27
Q002	12.29	0	4.62	Q601	2.64	200.29	3.34
Q003	2.58	0	3.3	Q602	0	2.27	0
Q004	0.12	12.29	0	Q603	0.65	0.02	0
Q005	0.11	0.11	0	Q604	-0.53	4.54	0
Q101	4.86	11.68	4.02	Q605	-0.05	4.68	0
Q102	1.11	8.48	0.37	Q606	0.6	0.03	0
Q103	0.07	21.35	0	Q607	0.04	4.86	0
Q104	0.115	7	0	Q608	0.66	0.04	0
Q105	3.66	11.7	3.0	Q609	5.51	74.67	4.87
Q201	17.08	16.64	16.48	Q610	0.09	4.78	0
Q301	0.02	3.59	0	Q611	-0.43	0.99	0
Q302	0.02	4.39	0	Q612	0.64	0.09	0
Q303	0.74	0.13	0	Q901	2.25	4.79	1.99
Q304	6.34	0.73	6.58	Q902	0.62	-2.2	-1.2
Q401	0.53	69.24	0	Q903	-2.2	-1.5	0
Q402	-0.11	112.12	7.01	Q904	-3.3	125.3	-2.1
Q501	7.43	126.2	7	Q913	112	112.54	112.5
Q503	7.48	127.1	7.07	Q914	112.54	112.5	111.8
Q504	2.18	127	4.61				

NOTE : VOLTAGE ARE TAKEN UNDER TUNED CONDITION WITH

CONTRAST : Maximum Position

BRIGHTNESS : Maximum Position

COLOR : Maximum Position

SIGNAL INPUT : 80 dBuV

CHANNEL SETTING : The Last Channel of UHF High

SIGNAL PATTERN : Colour Bar

Print Date : 03/10/94

Page Number : 1

<< B.O.M. PRICE LIST FOR CUSTOMER >> - CURRENCY (USD)

PRODUCT CODE : 931374-400004-GT

DESCRIPTION : GT-9313A-3/CT-M341 TEAC PAL/BG W/AV IN MATT BLK 240V SAA

ASSEMBLY NUMBER	DESCRIPTION
155-000100-01-00	COMMON PART FOR HANDSET ASS'Y
155-000100-01-06	NON-COM PART FOR HANDSET ASS'Y (30 PROG)
158-931374-40-00	COMMON PART FOR CHASSIS ASS'Y (B/G)
158-931374-40-01	NON-COM CHASSIS ASS'Y (B/G)W/AV,1-SPK.
159-931374-40-00	COMMON PART FOR CASING ASS'Y (B/G)
159-931374-40-05	NON-COMMON PART FOR CASING ASS'Y (M.BLK)
163-931374-40-05	NON-COMMON PART FOR PACKING ASS'Y (B/G)

** THIS SPARE LIST IS MADE FOR TECHNICAL / MAINTENANCE REFERENCE ONLY **

** THIS SPARE LIST IS MADE FOR TECHNICAL / MAINTENANCE REFERENCE ONLY **

** THIS SPARE LIST IS MADE FOR TECHNICAL / MAINTENANCE REFERENCE ONLY **

Print Date : 03/10/94

PRODUCT CODE : 931374-400004-GT

Page Number : 2

DESCRIPTION : GT-9313A-3/CT-M341 TEAC PAL/BG W/AV IN MATT BLK 240V SAA

Component Part	Description / Location	Unit	Subs	Quantity Required	Unit Price	Amount	
*** ASSEMBLY : 155-000100-01-00 COMMON PART FOR HANDSET ASS'Y							
107-800455-46	455K HZ RESONATOR CSB455EB CF701	MURATA	PC	0	1.00000	.1980	.1980
113-109005-17	CARBON FILM RESISTOR 1 OHM R704	1/16W +-5%	PC	0	1.00000	.0044	.0044
113-223005-17	CARBON FILM RESISTOR 22K OHM R703	1/16W +-5%	PC	0	1.00000	.0044	.0044
113-332005-17	CARBON FILM RESISTOR 3.3K OHM R701	1/16W +-5%	PC	0	1.00000	.0044	.0044
113-470005-17	CARBON FILM RESISTOR 47 OHM R702	1/16W +-5%	PC	0	1.00000	.0044	.0044
123-101350-60	CERAMIC CAP. 100 PF 50V +-10% (SL TYPE) C701,702,703		PC	0	3.00000	.0110	.0329
127-106042-03	ELECT. CAP. 10 MFD 16V +-20% C704		PC	0	1.00000	.0240	.0240
130-134148-01	SILICON DIODE IN4148 D701,702,703,704,705,706,707	BODY LENGHT:3.2MM AUTO INSERT	PC	0	7.00000	.0090	.0633
130-600101-00	INFRARED EMITTER EL-1L1 LED 701	KODENSHI	PC	0	1.00000	.1346	.1346
131-230945-00	TRANSISTOR 2SC945 NEC Q701		PC	0	1.00000	.0417	.0417
131-232001-00	TRANSISTOR 2SC2001L NEC Q702		PC	0	1.00000	.0491	.0491
133-350560-12	IC M50560 MITSUBISHI IC701		PC	0	1.00000	.9824	.9824
172-626006-42	UL 1007 TOP COAT WIRE AWG 26 60MM RED 10 X 10 MM FROM REMOTE PCB '+' TO BATTERY CONTACT PLATE '+'		PC	0	1.00000	.0021	.0021
172-626008-40	UL 1007 TOP COAT WIRE AWG 26 80MM BLACK 10 X 10 MM FROM REMOTE PCB '-' TO BATTERY CONTACT PLATE '-'		PC	0	1.00000	.0022	.0022
190-921303-00	REMOTE P.C.B. (120592)		PC	0	1.00000	.2615	.2615
773-921301-00	BATTERY CONTACT PLATE (+)			0	1.00000	.0173	.0173
773-921302-00	BATTERY CONTACT PLATE (-)			0	1.00000	.0192	.0192
773-921303-00	BATTERY CONTACT PLATE (+VE,-VE) W/NICKEL PLATING			0	1.00000	.0327	.0327
964-921301-01	SENSOR LENS			0	1.00000	.0400	.0400

ASSB PRICE : 1.9187

** THIS SPARE LIST IS MADE FOR TECHNICAL / MAINTENANCE REFERENCE ONLY **

Print Date : 03/10/94

PRODUCT CODE : 931374-400004-GT

Page Number : 3

DESCRIPTION : GT-9313A-3/CT-M341 TEAC PAL/BG W/AV IN MATT BLK 240V SAA

Component Part	Description / Location	Unit	Subs	Quantity Required	Unit Price	Amount
*** ASSEMBLY : 155-000100-01-06 NON-COM PART FOR HANDSET ASS'Y (30 PROG)						
514-260410-00	SELF-TAPPING SCREW 2.6 X 10 B/T (HARDEN) CAB. MTG.	PC	0	1.00000	.0027	.0027
849-921302-00	CONTACT RUBBER KEY PAD (24 KEYS)		0	1.00000	.3880	.3880
892-921302-01	DIAL KEY PLATE - CLEAR W/BLK, WHI,D.GR,L.GREEN ENG (24 KEY)		0	1.00000	.1462	.1462
900-921310-11	HANDSET TOP CAB.- BLACK W/TEACDESIGN "RC-533 R/CONTROL UNIT"		0	1.00000	.1346	.1346
902-921310-01	HANDSET BOTTOM CABINET - BLACKMOULDED		0	1.00000	.0962	.0962
910-921301-01	BATTERY DOOR		0	1.00000	.0308	.0308
ASSB PRICE :						.7984

** THIS SPARE LIST IS MADE FOR TECHNICAL / MAINTENANCE REFERENCE ONLY **

Print Date : 03/10/94
Page Number : 4

PRODUCT CODE : 931374-400004-GT
DESCRIPTION : GT-9313A-3/CT-M341 TEAC PAL/BG W/AV IN MATT BLK 240V SAA

Component Part	Description / Location	Unit	Subs	Quantity Required	Unit Price	Amount
*** ASSEMBLY : 158-931374-40-00 COMMON PART FOR CHASSIS ASS'Y (B/G)						
001-214189-05	FLYBACK TRANSFORMER 154-189H GOLDSTAR "FOR CAIHONG CRT" T402	PC	0	1.00000	6.3260	6.3260
012-102340-06	SEMI-FIXED RESISTOR EVND8AA 03B13 1KB VR901,305	PC	0	2.00000	.0538	.1077
012-103330-06	SEMI-FIXED RESISTOR EVND 2AA 03B14 10KB VR504,502,501	PC	0	3.00000	.0587	.1760
012-103340-06	SEMI-FIXED RESISTOR EVND8AA 03B14 10KB VR304	PC	0	1.00000	.0529	.0529
012-104340-06	SEMI-FIXED RESISTOR EVND8AA 03B15 100KB VR306,308	PC	0	2.00000	.0538	.1077
012-203340-06	SEMI-FIXED RESISTOR EVND8AA 03B24 20KB VR301	PC	0	1.00000	.0529	.0529
012-301330-06	SEMI-FIXED RESISTOR EVND2AA 03B32 300B VR505,503	PC	0	2.00000	.0587	.1173
012-501340-06	SEMI-FIXED RESISTOR EVND 8AA 03B52 500B VR303	PC	0	1.00000	.0529	.0529
012-502340-06	SEMI-FIXED RESISTOR EVND8AA 03B53 5KB VR101,601	PC	0	2.00000	.0544	.1088
013-100001-02	GLASS DELAY LINE (ADVANCE MOTION/WEI HAW YCS-EN645A11) DLY302	PC	0	1.00000	.9481	.9481
013-200005-00	Y-DELAY LINE YBL50F18X DLY301	PC	0	1.00000	.3880	.3880
101-190710-96	HORIZONTAL DRIVE TRANSFORMER R0710 T401	PC	0	1.00000	.2885	.2885
101-288820-95	LINE FILTER 70MH L901	PC	0	1.00000	.7308	.7308
* 101-414025-94	SWITCHING POWER TRANSFORMER (HL4025B) T901 *	PC	0	1.00000	2.0769	2.0769
102-370600-02	TANK COIL / AFC COIL COILS 707851 T103,101	PC	0	2.00000	.1000	.2000
102-670100-02	SOUND IF COILS 707532 T102	PC	0	1.00000	.1000	.1000
102-770220-02	PAL COLOR DELAY LINE MATCHING COILS 800856 T302	PC	0	1.00000	.0865	.0865
102-770800-02	DOSC COIL. COILS 707932 T301	PC	0	1.00000	.1000	.1000
105-100101-02	FIXED INDUCTIVE COIL 10UH +-10% L303	PC	0	1.00000	.0342	.0342
105-150101-02	FIXED INDUCTIVE COIL 15UH 10% L104	PC	0	1.00000	.0342	.0342
105-181101-02	FIXED INDUCTIVE COIL 180UH 10% L501	PC	0	1.00000	.0342	.0342
105-201106-02	CHOKE COIL 200UH 10% CH9012- 201K (ELEC PRODUCT) L903	PC	0	1.00000	.1682	.1682
105-220101-02	FIXED INDUCTIVE COIL 22UH 10% L221	PC	0	1.00000	.0342	.0342
105-330101-02	FIXED INDUCTIVE COIL 33UH +-10% L301,302	PC	0	2.00000	.0342	.0684

** THIS SPARE LIST IS MADE FOR TECHNICAL / MAINTENANCE REFERENCE ONLY **

Print Date : 03/10/94

PRODUCT CODE : 931374-400004-GT

Page Number : 5

DESCRIPTION : GT-9313A-3/CT-M341 TEAC PAL/BG W/AV IN MATT BLK 240V SAA

Component Part	Description / Location	Unit	Subs	Quantity Required	Unit Price	Amount
105-569101-02	FIXED INDUCTIVE COIL 5.6UH +-10% L103	PC	0	1.00000	.0231	.023
105-650052-01	LINEARITY COIL 34UH FOR 21" CRT L401	PC	0	1.00000	.3423	.342
105-828103-02	FIXED INDUCTIVE COIL 0.82UH 10% AXIAL TYPE L101	PC	0	1.00000	.0342	.034
107-804000-66	4 MHZ RESONATOR CSA4.00MG MURATA X601	PC	0	1.00000	.1980	.198
111-204201-23	VERIABLE RESISTOR 200K (EVUD2AE20B25 MATSUSHITA) VR302	PC	0	1.00000	.2115	.211
113-100105-17	CARBON FILM RESISTOR 10 OHM 1/4W +-5% R642,643,607,104	PC	0	4.00000	.0028	.011
113-100505-75	METAL OXIDE FILM RESISTOR 10 OHM 3W +-5% R414	PC	0	1.00000	.0515	.051
113-101105-17	CARBON FILM RESISTOR 100 OHM 1/4W +-5% R608,609,610,611,612,613,205	PC	0	7.00000	.0028	.019
113-101205-12	CARBON FILM RESISTOR 100 OHM 1/2W +-5% R651	PC	0	1.00000	.0062	.006
113-102105-17	CARBON FILM RESISTOR 1K OHM 1/4W +-5% R348,R306,344,382	PC	0	4.00000	.0030	.011
113-102105-17	CARBON FILM RESISTOR 1K OHM 1/4W +-5% R602,652,102,111,107,137,333,372,406	PC	0	9.00000	.0030	.026
113-102305-75	METAL OXIDE FILM RESISTOR 1K OHM 1W +-5% R410,408	PC	0	2.00000	.0187	.037
113-103105-17	CARBON FILM RESISTOR 10K OHM 1/4W +-5% R418,908	PC	0	2.00000	.0028	.005
113-103105-17	CARBON FILM RESISTOR 10K OHM 1/4W +-5% R136,114,606,628,629,630,127	PC	0	7.00000	.0028	.019
113-103105-17	CARBON FILM RESISTOR 10K OHM 1/4W +-5% R631,635,636,638,639,640,645,655,654,657,314	PC	0	11.00000	.0028	.030
113-104105-17	CARBON FILM RESISTOR 100K OHM 1/4W +-5% R140,309,338,601,603,369,357	PC	0	7.00000	.0030	.020
113-104205-12	CARBON FILM RESISTOR 100K OHM 1/2W +-5% R951	PC	0	1.00000	.0062	.006
113-104305-75	METAL OXIDE FILM RESISTOR 100KOHM 1W +-5% R921	PC	0	1.00000	.0187	.018
113-109105-17	CARBON FILM RESISTOR 1 OHM 1/4W +-5% R206	PC	0	1.00000	.0028	.002
113-120305-75	METAL OXIDE FILM RESISTOR 12 OHM 1W +-5% R911	PC	0	1.00000	.0187	.018
113-120305-75	METAL OXIDE FILM RESISTOR 12 OHM 1W +-5% R201	PC	0	1.00000	.0187	.018
113-120405-75	METAL OXIDE FILM RESISTOR 12 OHM 2W +-5% R920	PC	0	1.00000	.0240	.024
113-121105-17	CARBON FILM RESISTOR 120 OHM 1/4W +-5% R507	PC	0	1.00000	.0028	.002
113-122105-17	CARBON FILM RESISTOR 1.2K OHM 1/4W +-5% R509,604,646	PC	0	3.00000	.0030	.008
113-123105-17	CARBON FILM RESISTOR 12K OHM 1/4W +-5% R301,647,648	PC	0	3.00000	.0028	.008

** THIS SPARE LIST IS MADE FOR TECHNICAL / MAINTENANCE REFERENCE ONLY **

Print Date : 03/10/94

PRODUCT CODE : 931374-400004-GT

Page Number : 6

DESCRIPTION : GT-9313A-3/CT-M341 TEAC PAL/BG W/AV IN MATT BLK 240V SAA

Component Part	Description / Location	Unit	Subs	Quantity Required	Unit Price	Amount
113-123405-75	METAL OXIDE FILM RESISTOR 12K OHM 2W +-5% R508,514,518	PC	0	3.00000	.0240	.0721
113-124105-17	CARBON FILM RESISTOR 120K OHM 1/4W +-5% R670	PC	0	1.00000	.0028	.0028
113-151105-17	CARBON FILM RESISTOR 150 OHM 1/4W +-5% R503,506,510,513,517,109	PC	0	6.00000	.0028	.0167
113-152105-17	CARBON FILM RESISTOR 1.5K OHM 1/4W +-5% R349,334,350,352	PC	0	4.00000	.0028	.0112
113-153105-17	CARBON FILM RESISTOR 15K OHM 1/4W +-5% R106,313,329,402,401,658,653	PC	0	7.00000	.0028	.0195
113-154105-17	CARBON FILM RESISTOR 150K OHM 1/4W +-5% R130	PC	0	1.00000	.0028	.0028
113-159405-75	METAL OXIDE FILM RESISTOR 1.5 OHM 2W +-5% R501	PC	0	1.00000	.0240	.0240
113-182105-17	CARBON FILM RESISTOR 1.8K OHM 1/4W +-5% R907,126	PC	0	2.00000	.0028	.0056
113-183105-17	CARBON FILM RESISTOR 18K OHM 1/4W +-5% R366,307	PC	0	2.00000	.0028	.0056
113-184205-12	CARBON FILM RESISTOR 180K OHM 1/2W +-5% R415	PC	0	1.00000	.0062	.0062
113-202605-75	METAL OXIDE FILM RESISTOR 2K OHM 5W +-5% R413	PC	0	1.00000	.1500	.1500
113-204105-17	CARBON FILM RESISTOR 200K OHM 1/4W +-5% R322	PC	0	1.00000	.0028	.0028
113-221105-17	CARBON FILM RESISTOR 220 OHM 1/4W +-5% R110,347,343	PC	0	3.00000	.0028	.0084
113-222105-17	CARBON FILM RESISTOR 2.2K OHM 1/4W +-5% R504,512,516,345,208,124	PC	0	6.00000	.0028	.0167
113-222105-17	CARBON FILM RESISTOR 2.2K OHM 1/4W +-5% R125,145,319,327,649,015	PC	0	6.00000	.0028	.0167
113-223105-17	CARBON FILM RESISTOR 22K OHM 1/4W +-5% R370,411,650,122,605,615,105,302,326	PC	0	9.00000	.0028	.0251
113-223105-17	CARBON FILM RESISTOR 22K OHM 1/4W +-5% R616,617,618,619,620,621,622,623,624,625	PC	0	10.00000	.0028	.0279
113-229105-17	CARBON FILM RESISTOR 2.2 OHM 1/4W +-5% R160	PC	0	1.00000	.0028	.0028
113-229305-42	NON-FLAMMABLE FUSING RESISTOR 2.2 OHM 1W +-5% R409	PC	0	1.00000	.0625	.0625
113-229405-75	METAL OXIDE FILM RESISTOR 2.2 OHM 2W +-5% R902	PC	0	1.00000	.0240	.0240
113-243105-17	CARBON FILM RESISTOR 24K OHM 1/4W +-5% R403	PC	0	1.00000	.0030	.0030
113-270105-17	CARBON FILM RESISTOR 27 OHM 1/4W +-5% R108	PC	0	1.00000	.0028	.0028
113-270405-75	METAL OXIDE FILM RESISTOR 27 OHM 2W +-5% R912	PC	0	1.00000	.0240	.0240
113-272105-17	CARBON FILM RESISTOR 2.7K OHM 1/4W +-5% R203,328,378,379,380	PC	0	5.00000	.0028	.0139
113-272205-12	CARBON FILM RESISTOR 2.7K OHM 1/2W +-5% R952,519,520,521,412	PC	0	5.00000	.0062	.0308

** THIS SPARE LIST IS MADE FOR TECHNICAL / MAINTENANCE REFERENCE ONLY **

Print Date : 03/10/84

PRODUCT CODE : 931374-400004-GT

Page Number : 7

DESCRIPTION : GT-9313A-3/CT-M341 TEAC PAL/BG W/AV IN MATT BLK 240V SAA

Component Part	Description / Location	Unit	Subs	Quantity Required	Unit Price	Amount
113-274105-17	CARBON FILM RESISTOR 270K OHM 1/4W +-5% R320	PC	0	1.00000	.0028	.0028
113-330105-17	CARBON FILM RESISTOR 33 OHM 1/4W +-5% R374	PC	0	1.00000	.0028	.0028
113-331105-17	CARBON FILM RESISTOR 330 OHM 1/4W +-5% R905,373,332,335,341,375,381	PC	0	7.00000	.0028	.0195
113-332102-17	CARBON FILM RESISTOR 3.3K OHM 1/4W +-2% R904	PC	0	1.00000	.0052	.0052
113-332105-17	CARBON FILM RESISTOR 3.3K OHM 1/4W +-5% R505,515,511,131	PC	0	4.00000	.0028	.0112
113-333105-17	CARBON FILM RESISTOR 33K OHM 1/4W +-5% R116,103,641,360,361,637,644,112,113	PC	0	9.00000	.0028	.0251
113-333105-17	CARBON FILM RESISTOR 33K OHM 1/4W +-5% R117,118	PC	0	2.00000	.0028	.0056
113-334105-17	CARBON FILM RESISTOR 330K OHM 1/4W +-5% R365,626	PC	0	2.00000	.0028	.0056
113-334305-75	METAL OXIDE FILM RESISTOR 330KOHM 1W +-5% R913	PC	0	1.00000	.0187	.0187
113-338405-75	METAL OXIDE FILM RESISTOR 0.330HM 2W +-5% R914	PC	0	1.00000	.0240	.0240
113-390605-75	METAL OXIDE FILM RESISTOR 39 OHM 5W +-5% R915	PC	0	1.00000	.1154	.1154
113-392105-17	CARBON FILM RESISTOR 3.9K OHM 1/4W +-5% R101,336,371,376,315	PC	0	5.00000	.0028	.0139
113-393105-17	CARBON FILM RESISTOR 39K OHM 1/4W +-5% R337	PC	0	1.00000	.0028	.0028
113-470205-75	METAL OXIDE FILM RESISTOR 47 OHM 1/2W +-5% R204	PC	0	1.00000	.0202	.0202
113-471105-17	CARBON FILM RESISTOR 470 OHM 1/4W +-5% R147,340,356,311	PC	0	4.00000	.0028	.0112
113-472105-17	CARBON FILM RESISTOR 4.7K OHM 1/4W +-5% R910,207,016,133	PC	0	4.00000	.0028	.0112
113-473105-17	CARBON FILM RESISTOR 47K OHM 1/4W +-5% R632,633,150,148,383	PC	0	5.00000	.0028	.0139
113-479205-12	CARBON FILM RESISTOR 4.7 OHM 1/2W +-5% R139	PC	0	1.00000	.0052	.0052
113-479605-51	WIRE WOUND CEMENT RES. 4.7 OHM5W +-5% R901	PC	0	1.00000	.1654	.1654
113-561105-17	CARBON FILM RESISTOR 560 OHM 1/4W +-5% R141	PC	0	1.00000	.0030	.0030
113-562105-17	CARBON FILM RESISTOR 5.6K OHM 1/4W +-5% R502,115,138,318,377,202	PC	0	6.00000	.0028	.0167
113-563105-17	CARBON FILM RESISTOR 56K OHM 1/4W +-5% R316,656,321,355,404	PC	0	5.00000	.0028	.0139
113-564105-17	CARBON FILM RESISTOR 560K OHM 1/4W +-5% R317	PC	0	1.00000	.0028	.0028
113-565205-92	CARBON COMPOSITION RESISTOR 5.6M 1/2W +-5% R916,917	PC	0	2.00000	.0663	.1327
113-680105-17	CARBON FILM RESISTOR 68 OHM 1/4W +-5% R331	PC	0	1.00000	.0030	.0030

** THIS SPARE LIST IS MADE FOR TECHNICAL / MAINTENANCE REFERENCE ONLY **

Print Date : 03/10/94

PRODUCT CODE : 931374-400004-GT

Page Number : 8

DESCRIPTION : GT-9313A-3/CT-M341 TEAC PAL/BG W/AV IN MATT BLK 240V SAA

Component Part	Description / Location	Unit	Subs	Quantity Required	Unit Price	Amount
113-681105-17	CARBON FILM RESISTOR 680 OHM 1/4W +-5% R325,362,363,359	PC	0	4.00000	.0028	.0112
113-681205-12	CARBON FILM RESISTOR 680 OHM 1/2W +-5% R342	PC	0	1.00000	.0062	.0062
113-682105-17	CARBON FILM RESISTOR 6.8K OHM 1/4W +-5% R909,367,405,634,364,132	PC	0	6.00000	.0028	.0167
113-682605-75	METAL OXIDE FILM RESISTOR 6.8KOHM 5W +-5% R330	PC	0	1.00000	.1154	.1154
113-683105-17	CARBON FILM RESISTOR 68K OHM 1/4W +-5% R323,128,353,C631	PC	0	4.00000	.0028	.0112
113-684105-17	CARBON FILM RESISTOR 680K OHM 1/4W +-5% R312	PC	0	1.00000	.0063	.0063
113-688205-42	FUSING RESISTOR 0.68 OHM 1/2W +-5% R919	PC	0	1.00000	.0462	.0462
113-688305-42	FUSING RESISTOR 0.68 OHM 1W +-5% R416, 417, 918	PC	0	3.00000	.0587	.1760
113-752102-17	CARBON FILM RESISTOR 7K5 OHM 1/4W +-2% R903	PC	0	1.00000	.0044	.0044
113-752105-17	CARBON FILM RESISTOR 7.5K OHM 1/4W +-5% R324	PC	0	1.00000	.0029	.0029
113-820105-17	CARBON FILM RESISTOR 82 OHM 1/4W +-5% R120	PC	0	1.00000	.0028	.0028
113-821105-17	CARBON FILM RESISTOR 820 OHM 1/4W +-5% R339,358	PC	0	2.00000	.0028	.0056
113-822105-17	CARBON FILM RESISTOR 8.2K OHM 1/4W +-5% R906,614,310	PC	0	3.00000	.0028	.0084
113-822405-75	METAL OXIDE FILM RESISTOR 8.2KOHM 2W +-5% R123	PC	0	1.00000	.0240	.0240
113-823105-17	CARBON FILM RESISTOR 82K OHM 1/4W +-5% R354,351,303	PC	0	3.00000	.0028	.0084
113-824105-17	CARBON FILM RESISTOR 820K OHM 1/4W +-5% R129	PC	0	1.00000	.0028	.0028
114-210200-01	THERMISTOR (NICHICON ZPB53 BL 200C) TH901	PC	0	1.00000	.4231	.4231
122-300101-03	TRIMMER CAP. 30 PF CTC-6U-030 CT301	PC	0	1.00000	.1154	.1154
123-100340-60	CERAMIC CAP. 10PF +-5% 50V (SL TYPE) C326	PC	0	1.00000	.0098	.0098
123-100340-93	CERAMIC CAP. 10 PF 50V +-5% (NPO) C331	PC	0	1.00000	.0123	.0123
123-101350-60	CERAMIC CAP. 100 PF 50V +-10% (SL TYPE) C344	PC	0	1.00000	.0110	.0110
123-102350-90	CERAMIC CAP. 0.001 MFD 50V +-10% (B TYPE) C502,505,507,130	PC	0	4.00000	.0106	.0423
123-102850-10	CERAMIC CAP. 0.001 MFD 2KV +-10% MATSUSHITA C508	PC	0	1.00000	.1385	.1385
123-103370-90	CERAMIC CAP. 0.01 MFD 50V +80 -20% C105,111,113,126,131,120,124,129,136,137,141	PC	0	11.00000	.0098	.1079
123-103370-90	CERAMIC CAP. 0.01 MFD 50V +80 -20% C320,626,628,313,321,323,324,348,611,614,351,134	PC	0	12.00000	.0098	.1177

** THIS SPARE LIST IS MADE FOR TECHNICAL / MAINTENANCE REFERENCE ONLY **

Print Date : 03/10/94

PRODUCT CODE : 931374-400004-GT

Page Number : 9

DESCRIPTION : GT-9313A-3/CT-M341 TEAC PAL/BG W/AV IN MATT BLK 240V SAA

Component Part	Description / Location	Unit	Subs	Quantity Required	Unit Price	Amount
123-104270-90	CERAMIC CAP. 0.1 MFD 25V +80 -20% C619	PC	0	1.00000	.0283	.0283
123-122551-90	CERAMIC CAP. 0.0012 MFD 500V +-10% (B TYPE) MATSUSHITA C416	PC	0	1.00000	.0423	.0423
123-150340-93	CERAMIC CAP. 15 PF 50V +-5% (NPO) C139,607,332	PC	0	3.00000	.0118	.0355
123-151340-60	CERAMIC CAP. 150PF 50V +-5% (SL TYPE) C343,328	PC	0	2.00000	.0137	.0274
123-180340-60	CERAMIC CAP. 18PF 50V +-5% (SL TYPE) C335,225,143	PC	0	3.00000	.0098	.0294
123-202350-90	CERAMIC CAP. 0.002 MFD 50V +-10% (B TYPE) C605	PC	0	1.00000	.0133	.0133
123-209340-93	CERAMIC CAP. 2PF 50V +-5% (NPO) C140,132	PC	0	2.00000	.0106	.0212
123-221350-60	CERAMIC CAP. 220 PF 50V +-10% (SL TYPE) C102,336,613,616,617,620,621,623,340	PC	0	9.00000	.0106	.0952
123-221551-90	CERAMIC CAP. 220 PF 500V +-10% MATSUSHITA C915	PC	0	1.00000	.0481	.0481
123-222850-10	CERAMIC CAP. 0.0022 MFD 2KV +-10% MATSUSHITA C911,419	PC	0	2.00000	.2385	.4769
123-223370-90	CERAMIC CAP. 0.022 MFD 50V +80-20% C109,121,138,406	PC	0	4.00000	.0123	.0492
123-300340-93	CERAMIC CAP. 30 PF 50V +-5% (NPO) C608,609	PC	0	2.00000	.0149	.0298
123-331350-60	CERAMIC CAP. 330 PF 50V +-10% (SL TYPE) C501,506	PC	0	2.00000	.0128	.0257
123-390340-93	CERAMIC CAP. 39PF 50V +-5% (NPO) C345,603	PC	0	2.00000	.0121	.0242
123-470340-60	CERAMIC CAP. 47 PF 50V +-5% (SL TYPE) C347	PC	0	1.00000	.0098	.0098
123-471350-60	CERAMIC CAP. 470 PF 50V +-10% (SL TYPE) C304,612	PC	0	2.00000	.0160	.0319
123-471850-10	CERAMIC CAP. 470 PF 2KV +-10% MATSUSHITA C422	PC	0	1.00000	.0769	.0769
123-472551-90	CERAMIC CAP. 0.0047 MFD 500V +-10% (B TYPE) MATSUSHITA C913,415,424	PC	0	3.00000	.1173	.3519
123-472552-90	CERAMIC CAP. 0.0047 MFD 500V +-10% (B TYPE) SMALL SIZE C903,904,907	PC	0	3.00000	.0630	.1890
123-560340-60	CERAMIC CAP. 56PF 50V +-5% (SL TYPE) C503	PC	0	1.00000	.0113	.0113
123-561350-60	CERAMIC CAP. 560 PF 50V +-10% (SL TYPE) C610	PC	0	1.00000	.0193	.0193
123-680340-93	CERAMIC CAP. 68 PF 50V +-5% (NPO) C327	PC	0	1.00000	.0179	.0179
123-709340-93	CERAMIC CAP. 7PF 50V +-5% (NPO) C329	PC	0	1.00000	.0144	.0144
123-821350-60	CERAMIC CAP. 820 PF 50V +-10% (SL TYPE) C202	PC	0	1.00000	.0253	.0253
123-821850-10	CERAMIC CAP. 820 PF 2KV +-10% (SL TYPE) MATSUSHITA C914	PC	0	1.00000	.1308	.1308

** THIS SPARE LIST IS MADE FOR TECHNICAL / MAINTENANCE REFERENCE ONLY **

Print Date : 03/10/94 PRODUCT CODE : 931374-400004-GT
 Page Number : 10 DESCRIPTION : GT-9313A-3/CT-M341 TEAC PAL/BG W/AV IN MATT BLX 240V SAA

Component Part	Description / Location	Unit	Subs	Quantity Required	Unit Price	Amount
124-225051-03	TANTALIUM CAP. 2.2 MFD 25V +-10% C311	PC	0	1.00000	.0865	.0865
124-474061-03	TANTALIUM CAP. 0.47 MFD 35V +-10% C403	PC	0	1.00000	.0714	.0714
126-102071-01	MYLAR CAP. 0.001 MFD 50V +-10% C314,410,405	PC	0	3.00000	.0125	.0375
126-103071-01	MYLAR CAP. 0.01 MFD 50V +-10% C104,302,307,312	PC	0	4.00000	.0115	.0462
126-104071-01	MYLAR CAP. 0.1 MFD 50V +-10% C402,625,908,401,206	PC	0	5.00000	.0260	.1298
126-104101-31	POLYPROPYLENE CAP. 0.1 MFD 100V +-10% C426	PC	0	1.00000	.1212	.1212
126-152071-01	MYLAR CAP. 0.0015 MFD 50V +-10% C303	PC	0	1.00000	.0104	.0104
126-152161-41	METALIZED POLYPROPYLENE 0.0015MFD 1600V +-10% C421	PC	0	1.00000	.2536	.2536
126-153071-01	MYLAR CAP. 0.015 MFD 50V +-10% C208	PC	0	1.00000	.0121	.0121
126-223071-01	MYLAR CAP. 0.022 MFD 50V +-10% C333,334	PC	0	2.00000	.0160	.0319
126-224071-01	MYLAR CAP 0.22 MFD 50V +-10% C315,106,107,110	PC	0	4.00000	.0471	.1885
126-302070-31	POLYPROPYLENE CAP. 0.003 MFD 50V +-5% C319	PC	0	1.00000	.0692	.0692
126-332161-41	METALIZED POLYPROPYLENE CAP. 0.0033 MFD 1600V +-10% C418	PC	0	1.00000	.2635	.2635
126-333071-01	MYLAR CAP. 0.033 MFD 50V +-10% C305,308,906	PC	0	3.00000	.0183	.0548
126-473071-01	MYLAR CAP. 0.047 MFD 50V +-10% C407	PC	0	1.00000	.0212	.0212
126-473201-31	POLYPROPYLENE CAP. 0.047 MFD 200V +-10% C420	PC	0	1.00000	.0795	.0795
126-473211-41	METALLIZED POLYPROPYLENE CAP 0.047 MFD 250V +-10% VDE C902.901	PC	0	2.00000	.1365	.2731
126-474201-31	POLYPROPYLENE CAP 0.47 MFD 200V +-10% C413	PC	0	1.00000	.2618	.2618
126-562071-01	MYLAR CAP. 0.0056 MFD 50V +-10% C316	PC	0	1.00000	.0125	.0125
127-105072-03	ELECT. CAP. 1 MFD 50V +-20% C306,318,330,337,350,117	PC	0	6.00000	.0240	.1442
127-105132-03	ELECT. CAP. 1 MFD 160V +-20% C414	PC	0	1.00000	.0481	.0481
127-106042-03	ELECT. CAP. 10 MFD 16V +-20% C009,101,338,339,504,346	PC	0	6.00000	.0240	.1442
127-106042-03	ELECT. CAP. 10 MFD 16V +-20% C601,606,602,604,618,629,342,203,622,624	PC	0	10.00000	.0240	.2404
127-106072-03	ELECT. CAP. 10 MFD 50V +-20% C910	PC	0	1.00000	.0180	.0180
127-106252-03	ELECT. CAP. 10 MFD 250V +-20% C425	PC	0	1.00000	.1346	.1346

** THIS SPARE LIST IS MADE FOR TECHNICAL / MAINTENANCE REFERENCE ONLY **

Print Date : 03/10/94

PRODUCT CODE : 931374-400004-GT

Page Number : 11

DESCRIPTION : GT-9313A-3/CT-M341 TEAC PAL/BG W/AV IN MATT BLK 240V SAA

Component Part	Description / Location	Unit	Subs	Quantity Required	Unit Price	Amount
127-107042-03	ELECT. CAP. 100 MFD 16V +-20% C627,205,209	PC	0	3.00000	.0346	.1038
127-107062-03	ELECT. CAP. 100 MFD 35V +-20% C404,412	PC	0	2.00000	.0519	.1038
127-107132-03	ELECT. CAP. 100 MFD 160V +-20% C423	PC	0	1.00000	.3231	.3231
127-107402-03	ELECT. CAP. 100 MFD 400V +-20% C905	PC	0	1.00000	.9904	.9904
127-108042-03	ELECT. CAP. 1000 MFD 16V +-20% C135,325,349,207	PC	0	4.00000	.1192	.4769
127-225072-03	ELECT. CAP 2.2 MFD 50V +-20% C118,127,128	PC	0	3.00000	.0240	.0721
127-227042-03	ELECT. CAP. 220 MFD 16V +-20% C615,317,201	PC	0	3.00000	.0404	.1212
127-227062-03	ELECT. CAP. 220 MFD 35V +-20% C411,916	PC	0	2.00000	.0712	.1423
127-228052-03	ELECT. CAP. 2200 MFD 25V +-20% C408,417	PC	0	2.00000	.3192	.6385
127-335042-03	ELECT. CAP. 3.3 MFD 16V +-20% C122,125	PC	0	2.00000	.0240	.0481
127-335071-05	ELECT CAP. 3.3UF 50V +-10% (TIME CONSTANT) C409	PC	0	1.00000	.0567	.0567
127-336132-03	ELECT CAP. 33 MFD 160V +-20% C918	PC	0	1.00000	.1923	.1923
127-474072-03	ELECT. CAP. 0.47 MFD 50V +-20% C309,310,322,204,123,108,103,114	PC	0	8.00000	.0240	.1923
127-476042-03	ELECT. CAP. 47 MFD 16V +-20% C119	PC	0	1.00000	.0288	.0288
127-476072-07	ELECT.CAP. 47 MFD 50V +-20% NICHICON C909	PC	0	1.00000	.0404	.0404
127-477042-03	ELECT. CAP. 470 MFD 16V +-20% C144	PC	0	1.00000	.0712	.0712
130-111N60-00	DIODE 1N 60 D313	PC	0	1.00000	.0442	.0442
130-134148-01	SILICON DIODE IN4148 BODY LENGHT:3.2MM AUTO INSERT D620,621,622,623,624,625	PC	0	6.00000	.0090	.0542
130-134148-01	SILICON DIODE IN4148 BODY LENGHT:3.2MM AUTO INSERT D602,604,605,601,603,309,310,311,312,406,101,607	PC	0	12.00000	.0090	.1085
130-134148-01	SILICON DIODE IN4148 BODY LENGHT:3.2MM AUTO INSERT D608,609,610,613,614,611,612,615,618,619,616	PC	0	11.00000	.0090	.0994
130-134148-01	SILICON DIODE IN4148 BODY LENGHT:3.2MM AUTO INSERT D306,307,308,305,304,303,302,301,606	PC	0	9.00000	.0090	.0813
130-134148-01	SILICON DIODE IN4148 BODY LENGHT:3.2MM AUTO INSERT D104	PC	0	1.00000	.0090	.0090
130-311441-64	BRIDGE RECTIFIER 1J4B41 TOSHIBA BR901	PC	0	1.00000	.3423	.3423
130-311541-60	RECTIFIER DOIDE 1R5JU41 D904	PC	0	1.00000	.1708	.1708
130-311545-60	RECTIFIER DIODE 1R5JH45 D404	PC	0	1.00000	.1850	.1850

** THIS SPARE LIST IS MADE FOR TECHNICAL / MAINTENANCE REFERENCE ONLY **

Print Date : 03/10/94 PRODUCT CODE : 931374-400004-GT
 Page Number : 12 DESCRIPTION : GT-9313A-3/CT-M341 TEAC PAL/BG W/AV IN MATT BLK 240V SAA

Component Part	Description / Location	Unit	Subs	Quantity Required	Unit Price	Amount
130-315295-00	RECTIFIER DIODE S5295G TOSHIBA D901,902,905,402,403,903,405,401	PC	0	8.00000	.0968	.7740
130-410039-01	ZENER DIODE 3.9V ZD602	PC	0	1.00000	.0240	.0240
130-410056-01	ZENER DIODE 5.6V ZD601	PC	0	1.00000	.0240	.0240
130-410082-01	ZENER DIODE 8.2V ZD901	PC	0	1.00000	.0240	.0240
130-410574-00	ZENER DIODE UPC 574J NEC OR KA33V SAMSUNG ZD101	PC	0	1.00000	.1404	.1404
130-411091-01	ZENER DIODE 9.1V ZD902	PC	0	1.00000	.0240	.0240
130-422120-00	ZENER DIODE 1W 12V ZD401	PC	0	1.00000	.0596	.0596
130-512044-00	LED 3MM RED 204HDC LED601	PC	0	1.00000	.0298	.0298
131-210562-28	TRANSISTOR 2SA562TM TOSHIBA Q304	PC	0	1.00000	.0357	.0357
131-211013-18	TRANSISTOR 2SA1013 (R) TOSHIBA Q913	PC	0	1.00000	.1189	.1189
131-211015-00	TRANSISTOR 2SA1015 TOSHIBA Q601	PC	0	1.00000	.0290	.0290
131-220774-20	TRANSISTOR 2SB774 MATSUSHITA Q902	PC	0	1.00000	.1404	.1404
131-230388-00	TRANSISTOR 2SC388A TOSHIBA Q102	PC	0	1.00000	.1340	.1340
131-231317-00	TRANSISTOR 2SC1317 MATSUSHITA Q609	PC	0	1.00000	.0348	.0348
131-231815-25	TRANSISTOR 2SC1815 TOSHIBA Q602,603,301,103,101,302,303	PC	0	7.00000	.0268	.1875
131-231815-25	TRANSISTOR 2SC1815 TOSHIBA Q604,605,607,608,901,903,610,611,612	PC	0	9.00000	.0268	.2411
131-232230-00	TRANSISTOR 2SC2230A-Y TOSHIBA Q606	PC	0	1.00000	.0892	.0892
131-232335-30	TRANSISTOR 2SC2335 L/K NEC Q914	PC	0	1.00000	.7740	.7740
131-232482-00	TRANSISTOR 2SC2482 TOSHIBA Q401,501,502,503,504,505	PC	0	6.00000	.0968	.5805
131-240400-00	TRANSISTOR 2SD400E/F SANYO Q201	PC	0	1.00000	.0923	.0923
131-241431-00	TRANSISTOR 2SD1431 TOSHIBA WITH MICA SHEET (24MM X 33MM) Q904	PC	0	1.00000	1.1015	1.1015
131-241554-00	TRANSISTOR 2SD1554 TOSHIBA Q402	PC	0	1.00000	.8335	.8335
133-107680-14	IC TA7680 TOSHIBA IC102	PC	0	1.00000	1.4140	1.4140
133-107698-14	IC TA7698AP TOSHIBA IC301	PC	0	1.00000	2.9769	2.9769
133-107910-16	IC LA7910 SANYO IC101	PC	0	1.00000	.2977	.2977

** THIS SPARE LIST IS MADE FOR TECHNICAL / MAINTENANCE REFERENCE ONLY **

Print Date : 03/10/94
Page Number : 13

PRODUCT CODE : 931374-400004-GT
DESCRIPTION : GT-9313A-3/CT-M341 TEAC PAL/BG W/AV IN MATT BLK 240V SAA

Component Part	Description / Location	Unit	Subs	Quantity Required	Unit Price	Amount
133-200820-31	IC TBAB20M SGS IC201	PC	0	1.00000	.2233	.2233
133-205521-11	IC AN5521 MATSUSHITA IC401	PC	0	1.00000	.8925	.8925
133-334300-12	IC M34300 MITSUBISHI IC601	PC	0	1.00000	3.2300	3.2300
133-380011-12	IC 80011A MITSUBISHI IC602	PC	0	1.00000	1.2950	1.2950
136-537094-00	REMOTE RECEIVER (KODENSHI MC -377) OPT601	PC	0	1.00000	1.0865	1.0865
137-443618-20	CRYSTAL 4.43 MHZ X301	PC	0	1.00000	.4125	.4125
145-022412-09	SLIDE SWITCH 2P2T S9-22F08G9 S301	PC	0	1.00000	.0346	.0346
146-100001-14	POWER SWITCH (ESB-99957S COST COST REDUCTION) S602	PC	0	1.00000	1.4250	1.4250
146-100002-13	TACT SWITCH KSM0634A HDK S604,613,614,608,611,610,606,605	PC	0	8.00000	.0673	.5385
160-101001-08	PIN CONNECTOR 1 PIN PLUG STRAIGHT FOR CN501	PC	0	1.00000	.0203	.0203
160-102255-27	PIN CONNECTOR 2 PINS PLUG STRAIGHT (UL) CN202	PC	0	1.00000	.0180	.0180
160-102805-08	PIN CONNECTOR 2 PIN PLUG STRAIGHT CN903	PC	0	1.00000	.0518	.0518
160-103805-08	PIN CONNECTOR 3 PIN PLUG STRAIGHT CN402	PC	0	1.00000	.0698	.0698
160-104805-08	PIN CONNECTOR 4 PIN PLUG STRAIGHT CN401	PC	0	1.00000	.0743	.0743
160-108255-27	PIN CONNECTOR 8 PINS PLUG CN302	PC	0	1.00000	.0721	.0721
161-540105-00	CRT SOCKET ISL-01 IN CHANG	PC	0	1.00000	.6346	.6346
172-522032-42	UL 1672 DOUBLE INSOLATION WIRE#22 320MM RED 10 X 10MM MAIN PCB 'J' TO 'J'	PC	0	1.00000	.0319	.0319
172-522034-46	UL 1672 DOUBLE INSOLATION WIRE#22 340MM BLUE 10 X 10MM MAIN PCB 'I' TO 'I'	PC	0	1.00000	.0337	.0337
172-620014-40	UL 1007 TOP COAT WIRE AWG 20 140MM BLACK 10 X 10 MM MAIN PCB 'E' TO 'E'	PC	0	1.00000	.0106	.0106
172-622007-40	UL 1007 TOP COAT WIRE #22 70MMBLACK 5 X 5 MM FOE IC401 GND TO GND	PC	0	1.00000	.0041	.0041
172-622016-40	UL 1007 TOP COAT WIRE AWG 22 160MM BLACK 10 X 10 MM MAIN PCB 'H' TO 'H'	PC	0	1.00000	.0085	.0085
172-626004-40	UL 1007 TOP COAT WIRE AWG 26 40MM BLACK 5 X 5 MM FOR X301 TO GND	PC	0	1.00000	.0018	.0018
172-626008-40	UL 1007 TOP COAT WIRE AWG 26 80MM BLACK 10 X 10 MM MAIN PCB 'K' TO HEAT SINK OF Q402	PC	0	3.00000	.0022	.0065
172-626008-40	UL 1007 TOP COAT WIRE AWG 26 80MM BLACK 10 X 10 MM MAIN PCB 'M' TO HEAT SINK OF IC401	PC	0	.00000	.0022	.0000
172-626008-40	UL 1007 TOP COAT WIRE AWG 26 80MM BLACK 10 X 10 MM MAIN PCB 'L' TO HEAT SINK OF Q904	PC	0	.00000	.0022	.0000

** THIS SPARE LIST IS MADE FOR TECHNICAL / MAINTENANCE REFERENCE ONLY **

Print Date : 03/10/94

PRODUCT CODE : 931374-400004-GT

Page Number : 14

DESCRIPTION : GT-9313A-3/CT-M341 TEAC PAL/BG W/AV IN MATT BLK 240V SAA

Component Part	Description / Location	Unit	Subs	Quantity Required	Unit Price	Amount
172-526014-43	UL 1007 TOP COAT WIRE AWG 26 140MM ORANGE 10 X 10 MM MAIN PCB 'A' TO 'A'	PC	0	1.00000	.0041	.0041
172-626018-43	UL 1007 TOP COAT WIRE AWG 26 180MM ORANGE 10 X 10 MM MAIN PCB 'N' TO 'N'	PC	0	1.00000	.0050	.0050
172-626020-42	UL 1007 TOP COAT WIRE AWG 26 200MM RED 10 X 10 MM MAIN PCB 'O' TO 'O'	PC	0	1.00000	.0058	.0058
172-726000-99	BARE WIRE 54MM W001-004,006-011,013-086,088-089,090-091,120	M	0	5.40000	.0092	.0498
172-726000-99	BARE WIRE 54MM W093-094,096-102,105,110-111,501	M	0	.00000	.0092	.0000
172-830080-99	FLAT BRIDED WIRE 1200MM CRT GROUND	M	0	.80000	.1365	.1092
179-001010-00	OIL SLEEVING 1 MM DIA. FOR BR901,D904,D404	M	0	.06000	.0001	.0000
179-105000-00	UL PVC TUBE 5MM DIA 60MM FOR AC LINE CORD	M	0	.06000	.1865	.0112
179-405030-00	5 MM DIA SHRINKABLE TUBE FOR CRT	M.	0	.02000	.4038	.0081
182-222000-03	FUSE T2A 250V F901	PC	0	1.00000	.1000	.1000
190-881305-00	P.C.BOARD CRT (120593)	PC	0	1.00000	.2308	.2308
190-931300-07	SENSOR P.C.BOARD (191092)	PC	0	1.00000	.0692	.0692
190-931302-01	MAIN P.C.BOARD (260494)	PC	0	1.00000	2.4577	2.4577
191-100030-09	1 PIN SOCKET ASSM'Y L=300MM CRT GND TO CN501	PC	0	1.00000	.0465	.0465
191-300030-09	3 PIN SOCKET ASSM'Y CN402 '1' TO 'I', '2' TO 'J', '3' TO 'K' ON CRT BOARD	PC	0	1.00000	.1240	.1240
191-801104-07	8 PINS SOCKET ASS'Y CN302 '1' TO CRT 'A', '2' TO 'B', '3' TO 'C', '4' TO 'D'	PC	0	1.00000	.2019	.2019
191-801104-07	8 PINS SOCKET ASS'Y '5' TO 'E', '6' TO 'F', '7' TO 'G', '8' TO 'H'	PC	0	.00000	.2019	.0000
516-300308-10	SELF-TAPPING SCREW 3 X 8 P/A (HARDEN) FOR HEAT SINK (C)	PC	0	2.00000	.0021	.0042
517-303312-10	SELF-TAPPING SCREW 3 X 12 W/A W/H=7MM (HARDEN) FOR HEAT SINK (A) & (B)	PC	0	2.00000	.0032	.0065
540-025040-01	BRASS EYELET 2.5X4MM 2 FOR AC LINE CORD, 4 FOR AC WIRE	PC	0	6.00000	.0015	.0092
580-101261-01	CABLE TIE L=100MM FOR CRT BOARD , CONNECTON AC CORD	PC	0	10.00000	.0037	.0365
746-063101-00	TEST PIN:TOTAL LENGTH 18.6MM THK:0.8MM TP103,104	PC	0	2.00000	.0052	.0104
750-063101-00	SOLDERING LUG LEG:8X4MM FOR HEAT SINK (A) , (B) & (C)	PC	0	3.00000	.0023	.0069
766-686801-00	FUSE HOLDER	0	0	2.00000	.0135	.0269
781-881314-00	ALUMINIUM HEAT SINK (C) FOR IC 401	0	0	1.00000	.1596	.1596
781-882001-02	ALUMINIUM HEAT SINK (B) FOR Q402	0	0	1.00000	.2928	.2928
781-882101-01	ALUMINIUM HEAT SINK (A) FOR Q904	0	0	1.00000	.1712	.1712

** THIS SPARE LIST IS MADE FOR TECHNICAL / MAINTENANCE REFERENCE ONLY **

Print Date : 03/10/94

PRODUCT CODE : 931374-400004-GT

Page Number : 15

DESCRIPTION : GT-9313A-3/CT-M341 TEAC PAL/BG W/AV IN MATT BLK 240V SAA

Component Part	Description / Location	Unit Subs	Quantity Required	Unit Price	Amount
783-931301-00	SHIELD CAN	0	1.00000	.1173	.1173
783-931302-00	SHIELD CAN COVER	0	1.00000	.0712	.0712
840-051030-11	RUBBER PAD (ONE SIDE W/TAPE) MAIN PCB (1 UNDER BETWEEN HEAT SINK A,B)	0	2.00000	.0077	.0154
840-051030-11	RUBBER PAD (ONE SIDE W/TAPE) (1 UNDER POWER TRANSFORMER T901)	0	.00000	.0077	.0000
840-051520-11	RUBBER PAD (ONE SIDE W/TAPE) MIAN P.C.B. (UNDER FBT)	0	1.00000	.0067	.0067
929-931301-00	LED HOLDER BLACK ABS	0	1.00000	.0135	.0135
				ASSB PRICE :	50.2134

** THIS SPARE LIST IS MADE FOR TECHNICAL / MAINTENANCE REFERENCE ONLY **

Print Date : 03/10/84

PRODUCT CODE : 931374-400004-GT

Page Number : 16

DESCRIPTION : GT-9313A-3/CT-M341 TEAC PAL/BG W/AV IN MATT BLK 240V SAA

Component Part	Description / Location	Unit	Subs	Quantity Required	Unit Price	Amount
*** ASSEMBLY : 158-931374-40-01 NON-CDM CHASSIS ASS'Y (B/G)W/AV,1-SPK.						
003-131424-02	TUNER OSCAR UVE33-W24/R16-3649MITSUMI TUNER	PC	0	1.00000	9.9727	9.9727
107-105500-66	SOUND TRAP CERAMIC FILTER 5.5MHZ TPS-5.5MB MURATA CF103	PC	0	1.00000	.1465	.1465
107-305500-16	SOUND BYPASS CERAMIC FILTER 5.5MHZ SFE-5.5MB MURATA CF102	PC	0	1.00000	.1465	.1465
107-738900-07	SAW FILTER TOSHIBA (F1044PS) SA101	PC	0	1.00000	1.0119	1.0119
113-102105-17	CARBON FILM RESISTOR 1K OHM 1/4W +-5% R004	PC	0	1.00000	.0030	.0030
113-103105-17	CARBON FILM RESISTOR 10K OHM 1/4W +-5% R005,013,014,627,010	PC	0	5.00000	.0028	.0139
113-151105-17	CARBON FILM RESISTOR 150 OHM 1/4W +-5% R142	PC	0	1.00000	.0028	.0028
113-222105-17	CARBON FILM RESISTOR 2.2K OHM 1/4W +-5% R009,006	PC	0	2.00000	.0028	.0056
113-223105-17	CARBON FILM RESISTOR 22K OHM 1/4W +-5% R011,012	PC	0	2.00000	.0028	.0056
113-333105-17	CARBON FILM RESISTOR 33K OHM 1/4W +-5% R003	PC	0	1.00000	.0028	.0028
113-471105-17	CARBON FILM RESISTOR 470 OHM 1/4W +-5% R007	PC	0	1.00000	.0028	.0028
113-562105-17	CARBON FILM RESISTOR 5.6K OHM 1/4W +-5% R008	PC	0	1.00000	.0028	.0028
113-563105-17	CARBON FILM RESISTOR 56K OHM 1/4W +-5% R002	PC	0	1.00000	.0028	.0028
113-821105-17	CARBON FILM RESISTOR 820 OHM 1/4W +-5% R144,001	PC	0	2.00000	.0028	.0056
123-103370-90	CERAMIC CAP. 0.01 MFD 50V +80 -20% C115	PC	0	1.00000	.0098	.0098
123-222466-41	CERAMIC CAP. 0.0022 MFD 400V +-20% ECK-DNS222MEX MATSUSHITA C912	PC	0	1.00000	.2058	.2058
123-302350-90	CERAMIC CAP. 0.003 MFD 50V +-10% (B TYPE) C005	PC	0	1.00000	.0156	.0156
123-471350-60	CERAMIC CAP. 470 PF 50V +-10% (SL TYPE) C002	PC	0	1.00000	.0160	.0160
127-106042-03	ELECT. CAP. 10 MFD 16V +-20% C005,008,004	PC	0	3.00000	.0240	.0721
127-107042-03	ELECT. CAP. 100 MFD 16V +-20% C010	PC	0	1.00000	.0346	.0346
127-336042-03	ELECT. CAP. 33 MFD 16V +-20% C001	PC	0	1.00000	.0154	.0154
127-336042-23	ELECT. CAP. BIPOLAR 33 MFD 16V+-20% C003,007	PC	0	2.00000	.0692	.1385
130-134148-01	SILICON DIODE IN4148 BODY LENGHT:3.2MM AUTO INSERT D001,002,003	PC	0	3.00000	.0090	.0271
131-211015-00	TRANSISTOR 2SA1015 TOSHIBA Q002,003	PC	0	2.00000	.0290	.0580

** THIS SPARE LIST IS MADE FOR TECHNICAL / MAINTENANCE REFERENCE ONLY **

Print Date : 03/10/94

PRODUCT CODE : 931374-400004-GT

Page Number : 17

DESCRIPTION : GT-9313A-3/GT-M341 TEAC PAL/BG H/AV IN MATT BLK 240V SAA

Component Part	Description / Location	Unit	Subs	Quantity Required	Unit Price	Amount
131-231815-25	TRANSISTOR 2SC1815 TOSHIBA Q001,004,005,104,105	PC	0	5.00000	.0268	.1340
161-470002-00	RCA JACK HT02 BLACK J002	PC	0	1.00000	.0962	.0962
161-470003-00	RCA JACK HT03 YELLOW J001	PC	0	1.00000	.0962	.0962
171-550084-02	84" AC LINE CORD (END-CUT)SAA APPW/7.5A PLUG.	PC	0	1.00000	.6154	.6154
172-726000-99	BARE WIRE 54MM W014,022,087,089,012,109,121	M	0	.50000	.0092	.0046

ASSB PRICE : 12.8643

** THIS SPARE LIST IS MADE FOR TECHNICAL / MAINTENANCE REFERENCE ONLY **

Print Date : 03/10/94

PRODUCT CODE : 931374-400004-GT

Page Number : 18

DESCRIPTION : GT-9313A-3/CT-M341 TEAC PAL/BG W/AV IN MATT BLK 240V SAA

Component Part	Description / Location	Unit	Subs	Quantity Required	Unit Price	Amount
*** ASSEMBLY : 159-931374-40-00 COMMON PART FOR CASING ASS'Y (B/G)						
008-550151-05	DEGAUSSING COIL 40T L903	PC	0	1.00000	.9615	.9615
179-105000-00	UL PVC TUBE 5MM DIA 260MM FOR CN202	M	0	.26000	.1865	.0485
191-200044-09	2 PIN SOCKET ASSM'Y L=440MM CN202 '1' TO SPK. '+', '2' TO SPK. '-'	PC	0	1.00000	.0442	.0442
514-400425-10	SELF-TAPPING SCREW 4 X 25 B/T (HARDEN) REAR CAB. TO FRONT CAB.	PC	0	6.00000	.0094	.0565
514-500435-10	SELF-TAPPING SCREW B/T 5 X 35 HEAD DIA. \approx 8.5MM (MAX)(HARDEN) 4-FOR CRT MTG	PC	0	4.00000	.0173	.0692
622-881301-00	FELT ONE SIDE W/TAPE	0	0	1.00000	.0192	.0192
622-881302-00	FELT ONE SIDE W/TAPE	0	0	3.00000	.0250	.0750
728-931301-00	SENSOR P.C.B. SUPPORT FOR SENSOR P.C.B.	0	0	2.00000	.0346	.0692
744-881301-00	SPRING FOR C.R.T. MOUNTING 5.2 X 42 X 0.6MM	0	0	1.00000	.0481	.0481
777-881301-00	SPRING IN 10 X L12 FOR POWER KNOB	0	0	1.00000	.0077	.0077
834-230802-00	RUBBER WASHER OD=23, ID=8, T=2 FOR CRT MTG.	0	0	4.00000	.0250	.1000
939-881302-00	POWER SWITCH ADAPTOR	0	0	1.00000	.0147	.0147
948-881302-00	DEGAUSSING COIL MTG. CLIP FOR POWER SW.	0	0	4.00000	.0192	.0769
954-931301-00	STUD POST BLACK ABS FOR FRONT CAB.	0	0	4.00000	.0192	.0769

ASSB PRICE : 1.6678

** THIS SPARE LIST IS MADE FOR TECHNICAL / MAINTENANCE REFERENCE ONLY **

Print Date : 03/10/94

PRODUCT CODE : 931374-400004-GT

Page Number : 19

DESCRIPTION : GT-9313A-3/CT-M341 TEAC PAL/BG W/AV IN MATT BLK 240V SAA

Component Part	Description / Location	Unit	Subs	Quantity Required	Unit Price	Amount
*** ASSEMBLY : 159-931374-40-05 NON-COMMON PART FOR CASING ASS'Y (M.BLK)						
002-114022-40	14" CRT #37SX110Y22-DC05A S/H CAI HONG	PC	0	1.00000	62.4346	62.4346
162-110010-00	ANTENNA MATCHING TRANSFORMER (300 OHM TO 75 OHM)	PC	0	1.00000	.3269	.3269
166-162030-00	SPEAKER 3" 2W 16 OHM "TCL"	PC	0	1.00000	.6154	.6154
186-227503-14	BATTERY 3A PACK IN GIFT BOX	PC	0	2.00000	.0635	.1269
191-400042-07	4 PINS SOCKET ASS'Y AWG 20 420MM FOR CRT	PC	0	1.00000	.2035	.2035
514-400408-10	SELF-TAPPING SCREW 4 X 8 B/T (HARDEN) FOR SWIVEL STAND	PC	0	2.00000	.0050	.0100
515-303408-10	SELF-TAPPING SCREW 3 X 8 W/B/T (HARDEN) FOR FRONT CAB. TO FRONT PANEL	PC	0	1.00000	.0033	.0033
669-881301-2C	RATING LABEL - TEAC DESIGN 240V		0	1.00000	.0481	.0481
737-154510-00	METAL WASHER FOR SWIVEL STAND		0	2.00000	.0115	.0231
782-721952-04	DOUBLE ROD ANTENNA 520MM		0	1.00000	1.5192	1.5192
830-931301-00	STAND RUBBER FOOT FOR SWIVEL STAND		0	4.00000	.1058	.4231
884-881303-01	VIDEO JACK PLATE - W/ WHITE SS		0	1.00000	.0346	.0346
884-931307-04	PRESET PLATE - TEAC DESIGN (9 KEYS)		0	1.00000	.0923	.0923
889-931302-00	COVER PLATE (PAL)		0	1.00000	.0269	.0269
889-931304-00	COVER PLATE FOR REAR CAB.		0	1.00000	.0154	.0154
900-931301-01	FRONT CABINET (A) - MATT BLACKSPRAY		0	1.00000	2.5385	2.5385
902-931301-01	BACK CABINET - MATT BLACK SPRAY		0	1.00000	2.4519	2.4519
917-931301-00	REMOTE LENS (A-A) TRANSLUCENT RED		0	1.00000	.0269	.0269
919-931302-09	PRESET DOOR (A-A) - TEAC DESIGN		0	1.00000	.1788	.1788
930-931302-04	FRONT PANEL (A-B) (PAL) - MATTBLACK ENG STD W/L.GREY S.S.		0	1.00000	.1519	.1519
959-931301-00	SWIVEL STAND MOULDED BLACK ABS		0	1.00000	.4385	.4385
986-931301-06	NAME PLATE - TEAC DESIGN		0	1.00000	.0192	.0192
991-931301-01	POWER KNOB (A-A) MOULDED BLACKABS		0	1.00000	.0154	.0154

ASSB PRICE : 71.7244

** THIS SPARE LIST IS MADE FOR TECHNICAL / MAINTENANCE REFERENCE ONLY **

Print Date : 03/10/94 PRODUCT CODE : 931374-400004-GT
 Page Number : 20 DESCRIPTION : GT-9313A-3/CT-M341 TEAC PAL/BG W/AV IN MATT BLK 240V SAA

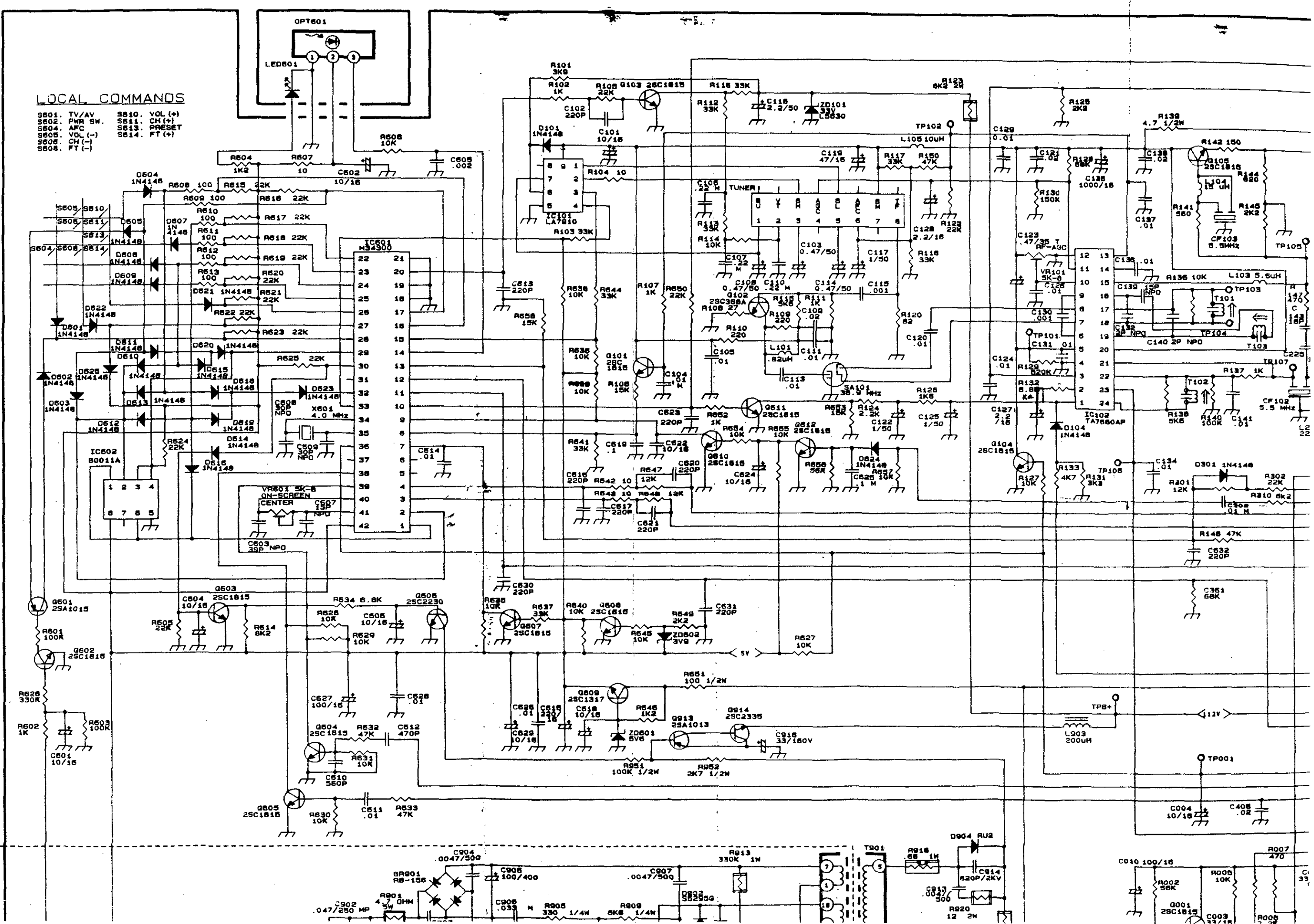
Component Part	Description / Location	Unit Subs	Quantity Required	Unit Price	Amount
*** ASSEMBLY : 163-931374-40-05 NON-COMMON PART FOR PACKING ASS'Y (B/G)					
610-931301-08	GIFT BOX - TEAC DESIGN "GT-9313A-3"	0	1.00000	1.4000	1.4000
663-230286-94	SERIAL NO.LABEL - OC:GT-286/94 1 PC STICK ON CTN,1 PC STICK ON RATING LABEL	0	2.00000	.0071	.0142
663-230290-94	SERIAL NO.LABEL - OC:GT-290/94 1 PC STICK ON CTN,1 PC STICK ON RATING LABEL	0	.00000	.0000	.0000
663-230445-94	SERIAL NO.LABEL - OC:GT-445/94	0	.00000	.0000	.0000
663-230626-94	SERIAL NO.LABEL - OC:GT-626/94	0	.00000	.0000	.0000
670-931300-26	INSTRUCTION MANUAL - TEAC DESIGN (30 PROG.) "GT-9313A-3"	0	1.00000	.1442	.1442
678-881301-04	SYSTEM LABEL - PAL BG	0	1.00000	.0062	.0062
678-881303-04	TOTAL CARE STICKER 1	0	1.00000	.0481	.0481
678-881303-05	TOTAL CARE STICKER 2	0	1.00000	.0154	.0154
678-931306-02	SCREEN STICKER W/MDL NO (CT-M341)	0	1.00000	.4673	.4673
682-230286-94	DATE CODE LABEL - OC:GT-286/94	0	1.00000	.0027	.0027
682-230290-94	DATE CODE LABEL - OC:GT-290/94	0	.00000	.0000	.0000
682-230445-94	DATE CODE LABEL - OC:GT-445/94	0	.00000	.0000	.0000
682-230626-94	DATE CODE LABEL - OC:GT-626/94	0	.00000	.0000	.0000
690-882039-01	WARRANTY CARD - TEAC DESIGN	0	1.00000	.1442	.1442
693-931301-02	EAN CODE LABEL - 9313060004910	0	1.00000	.0077	.0077
800-931305-00	POLYFOAM (1)	0	1.00000	.2115	.2115
800-931306-00	POLYFOAM (2)	0	1.00000	.2115	.2115
800-931307-00	POLYFORM (3)	0	1.00000	.1827	.1827
800-931308-00	POLYFOAM (4)	0	1.00000	.1827	.1827
810-040904-13	POLYBAG 4" X 9" X 0.04MM W/ RE-CYCLING MARK FOR HANDSET	0	1.00000	.0054	.0054
810-051104-13	POLYBAG 5" X 11" X 0.04 MM W/ RE-CYCLING MARK FOR AC LINE CORD	0	1.00000	.0079	.0079
810-091504-13	POLYBAG 9" X 15" X 0.04MM W/ RE-CYCLING MARK FOR INSTRUCTION MANUAL	0	1.00000	.0163	.0163
810-303004-14	POLYBAG 30"X30"X0.04MM W/PUNCHHOLE/RE-CYCLING MARK(P/O MAT.) FOR UNIT	0	1.00000	.1135	.1135
826-221505-00	FOAM SHEET 22" X 15" X 0.5MM FOR UNIT	0	2.00000	.0673	.1346

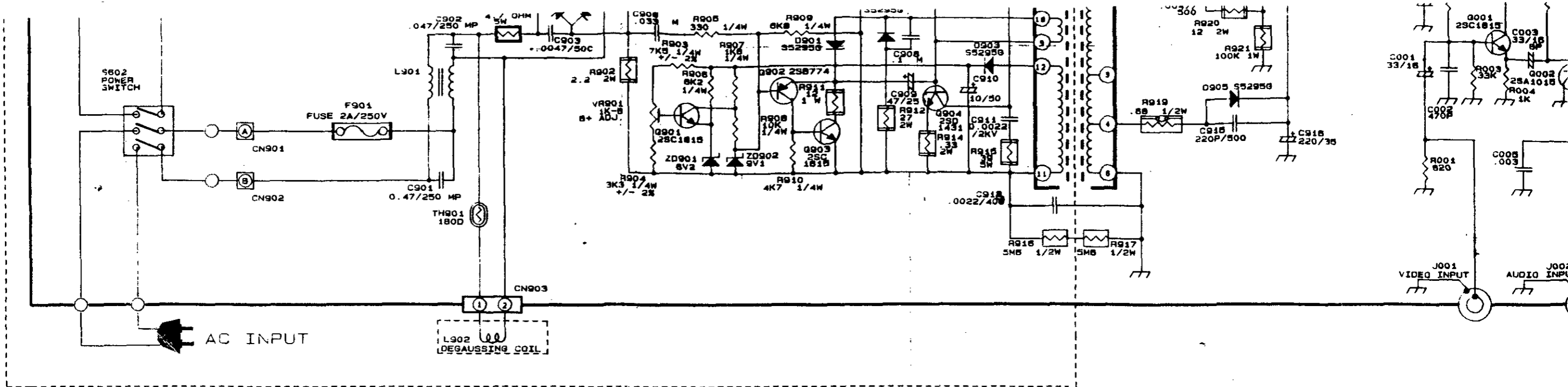
ASSB PRICE : 3.3162

TOTALA PRICE : 142.5032

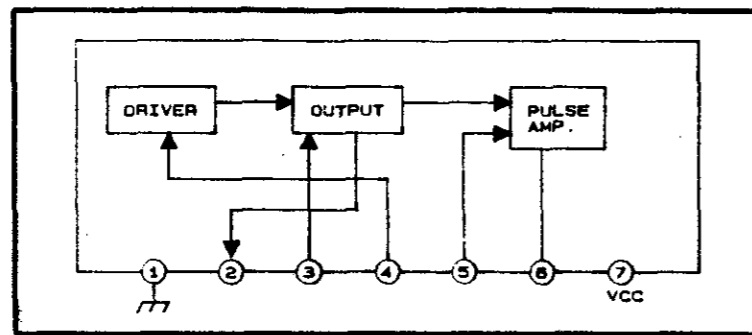
LOCAL COMMANDS

- | | |
|---------------|---------------|
| S601. TV/AV | S610. VOL (+) |
| S602. PWR SW. | S611. CH (+) |
| S604. AFC | S613. PRESET |
| S605. VOL (-) | S614. FT (+) |
| S606. CH (-) | |
| S608. FT (-) | |

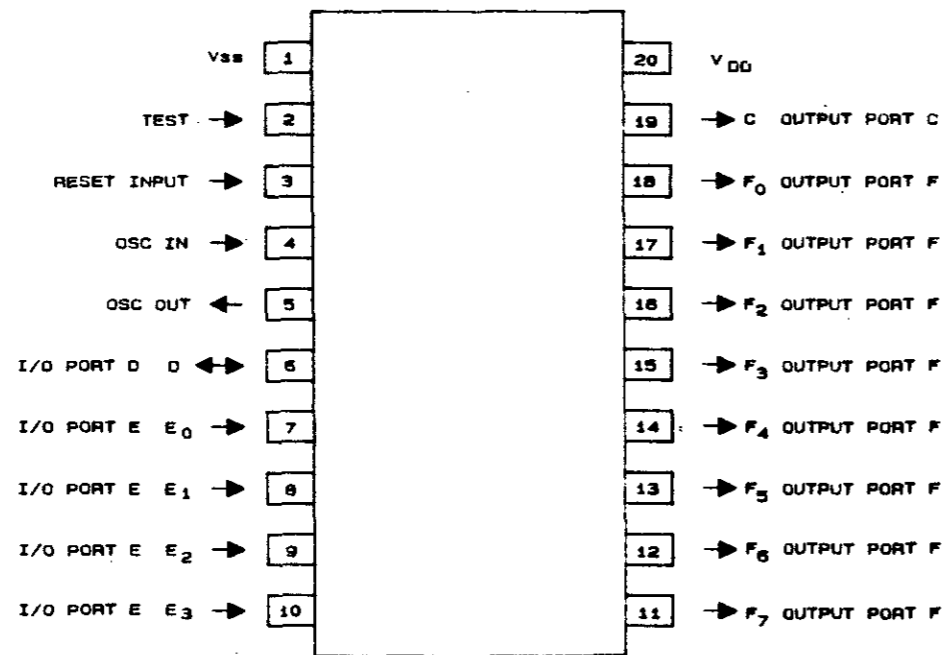




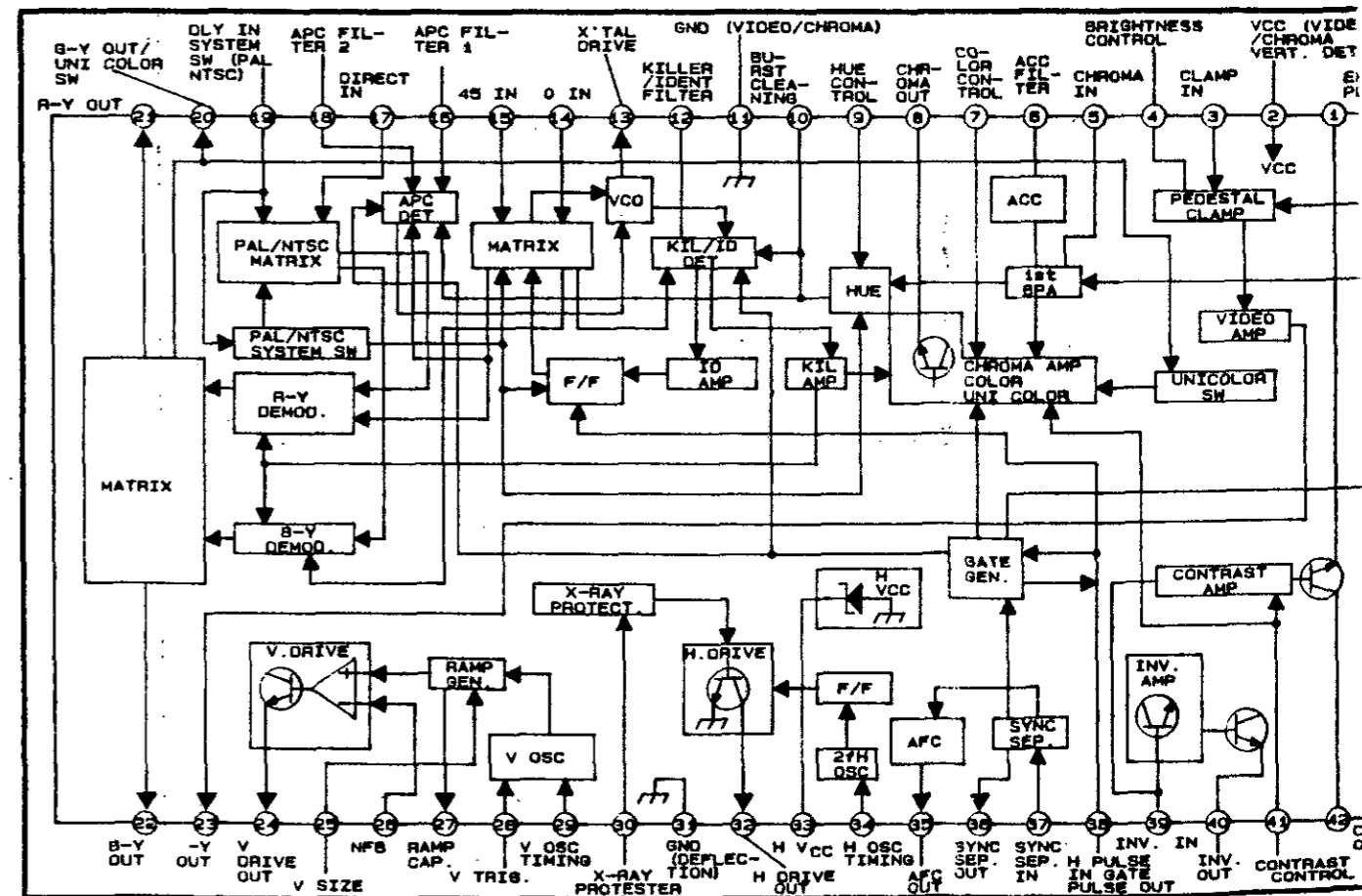
IC 401 AN5521

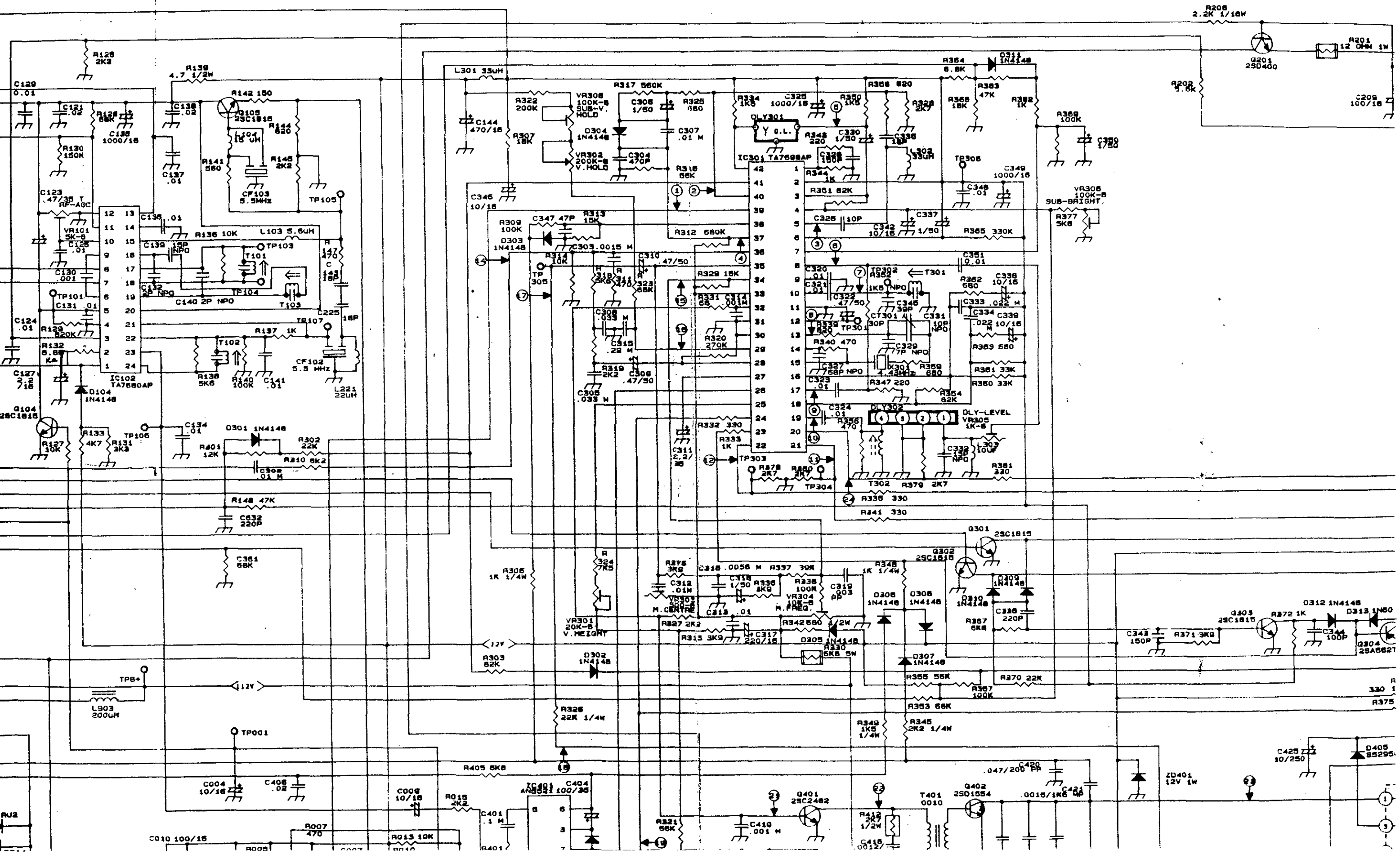


IC701 M50560



IC 301 TA7698AP





C010 100/16

R007 470

R013 10K

R015 2K2

R016 100/30

R017 10K

R018 100/30

R019 100/30

R020 100/30

R021 100/30

R022 100/30

R023 100/30

R024 100/30

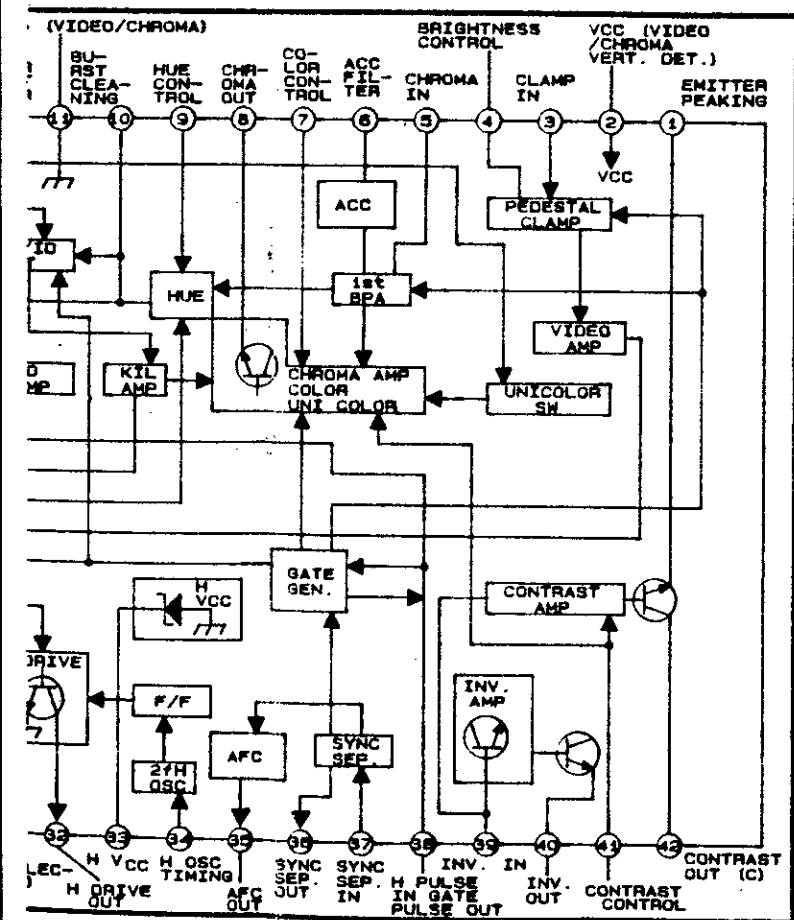
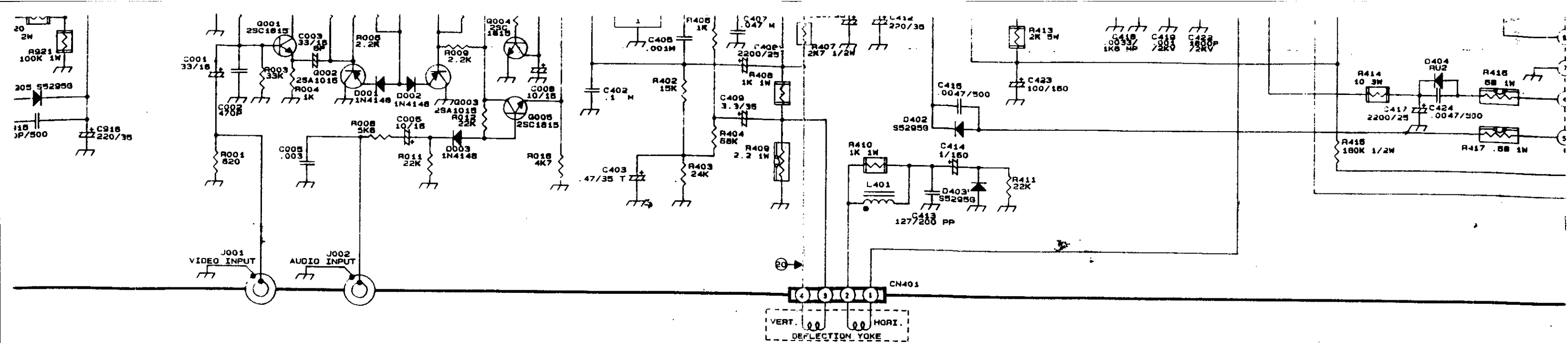
R025 100/30

R026 100/30

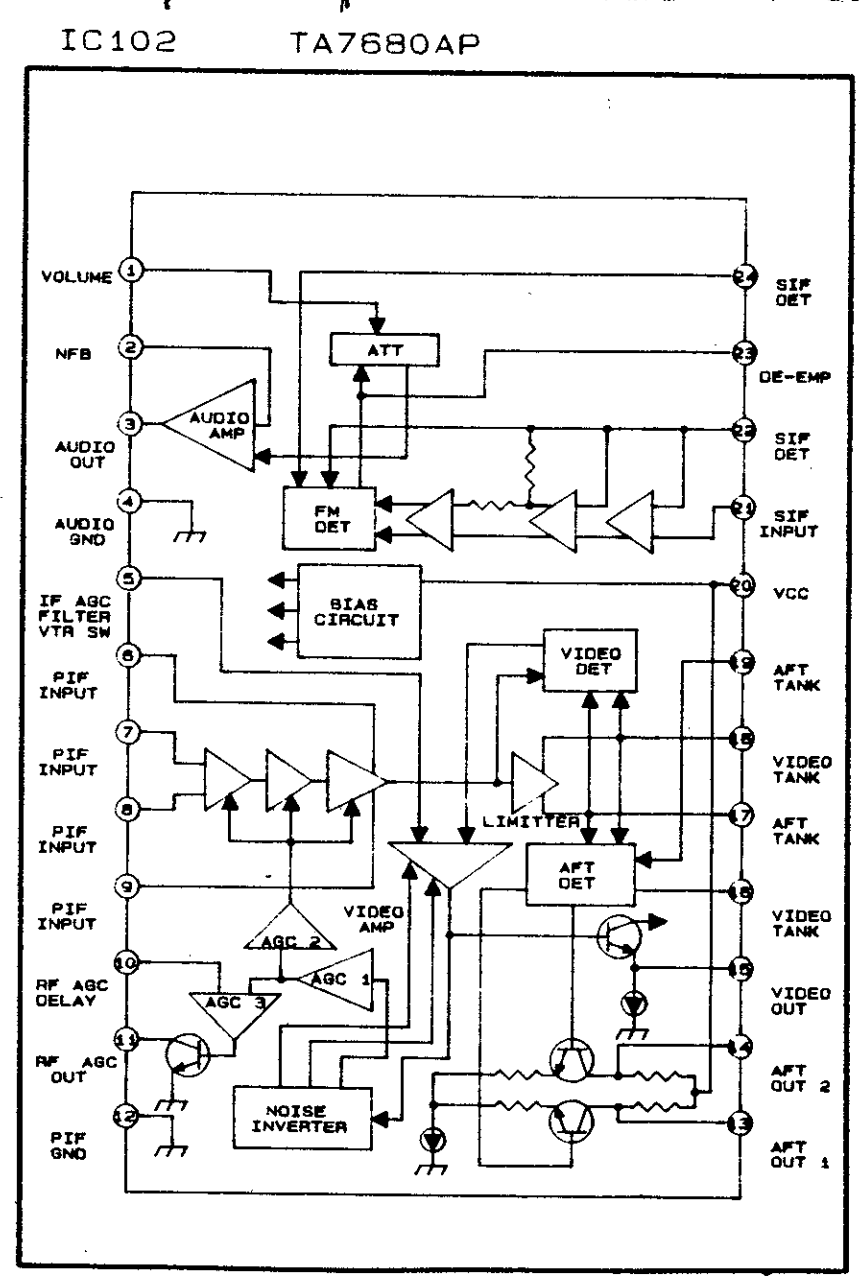
R027 100/30

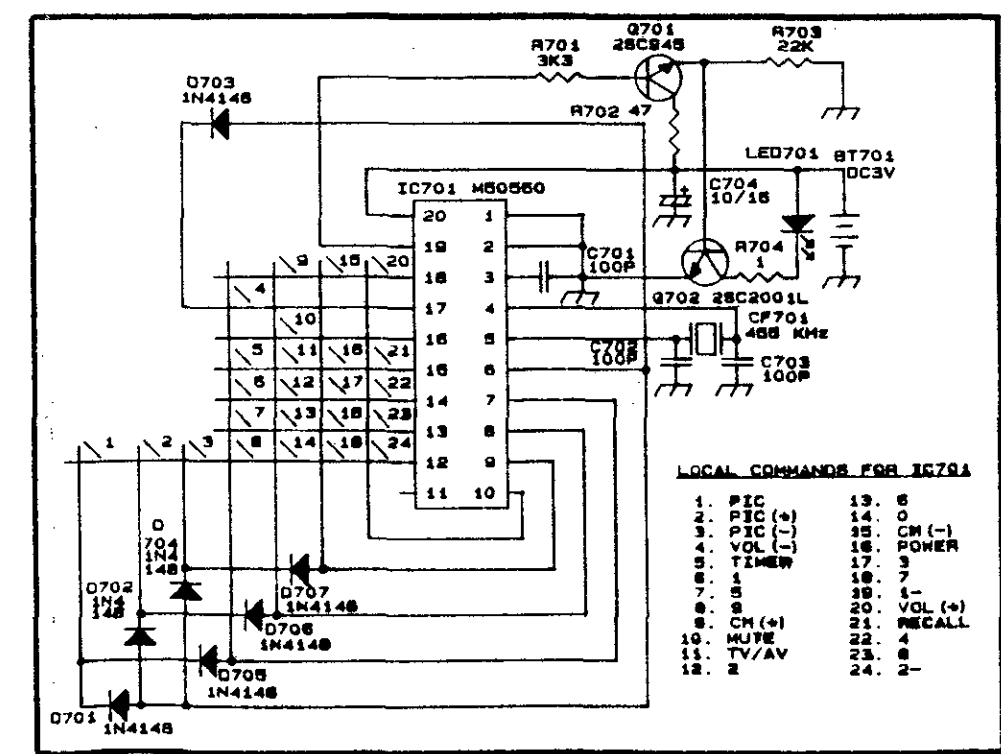
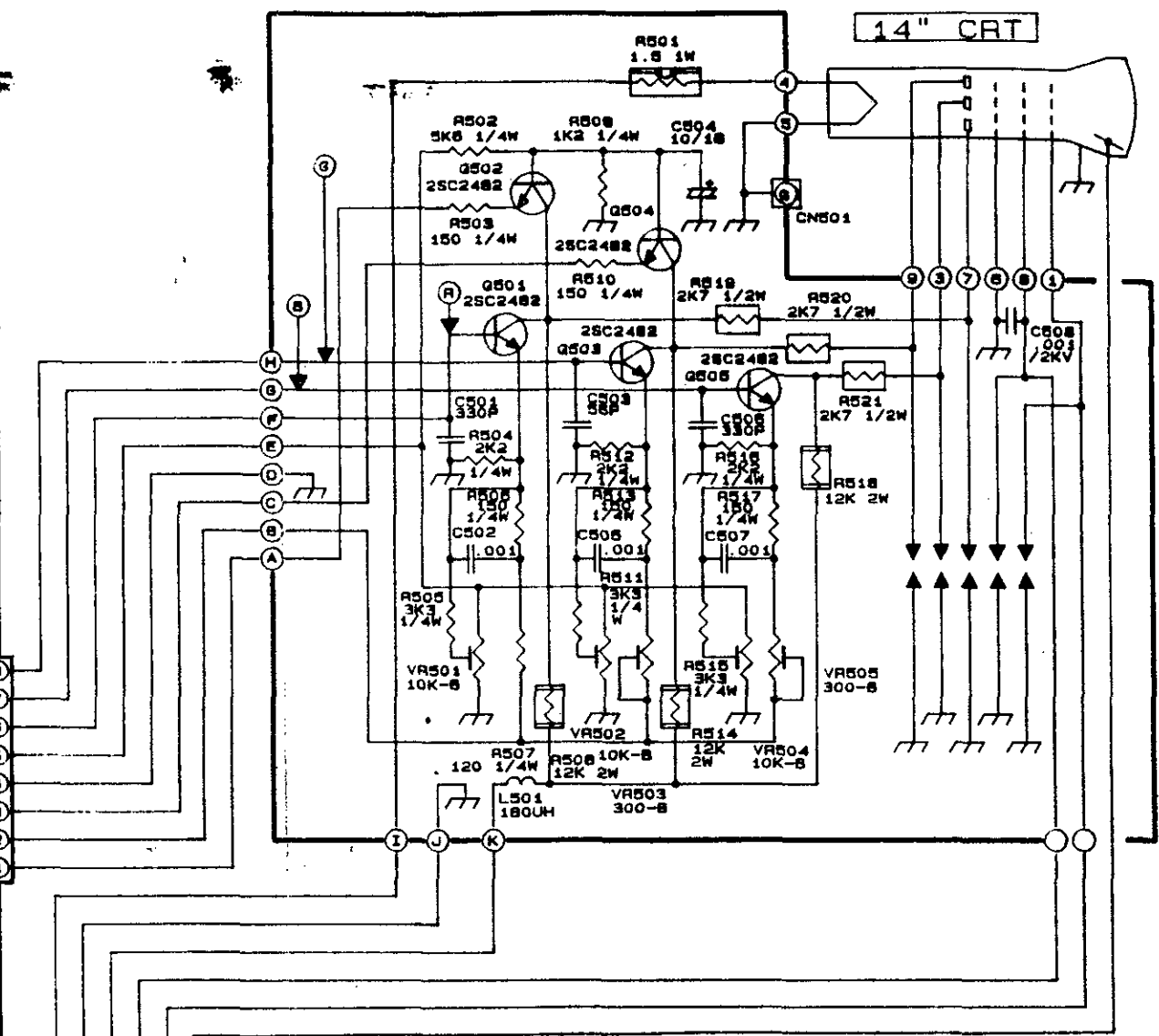
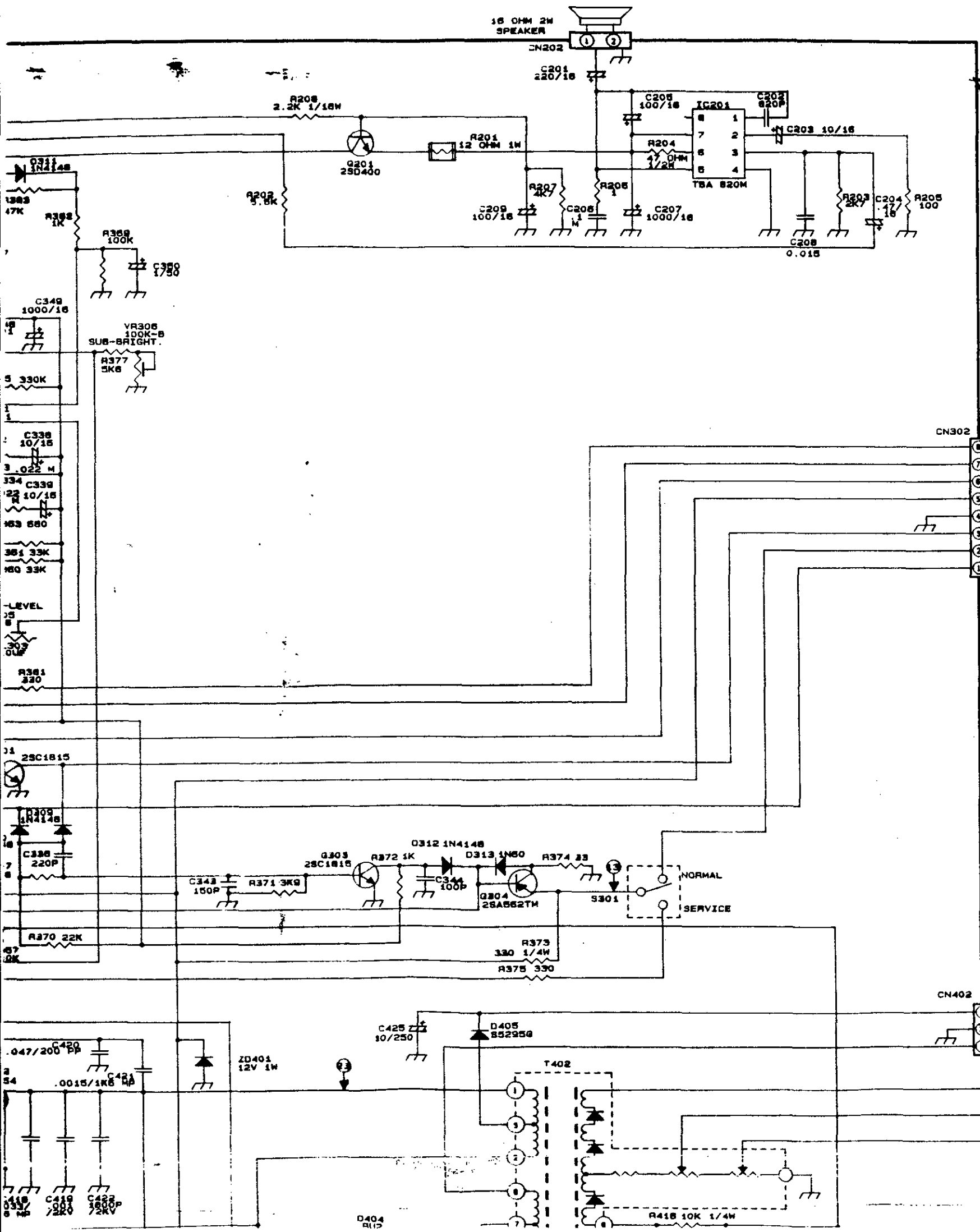
R028 100/30

R029 100/30



OUT	1	42	V _{DD}
B	2	41	OSC ₂
S	3	40	OSC ₁
R	4	39	HSYNS
MPX SOUND	5	38	VSYNC
MPX SOUND	6	37	TV/VIDEO/RGB
RESET	7	36	TV/VIDEO/RGB
AFC IN	8	35	X OUT
SD IN	9	34	X IN
VOLUME CONTROL	10	33	BAND OUT
COLOR CONTROL	11	32	
BRIGHT CONTROL	12	31	AFT
CONTRAST CONTROL	13	30	POWER
REMOTE	14	29	PO ₃
BAND OUT	15	28	PO ₂
P7 ₀	16	27	PO ₁
P7 ₁	17	26	PO ₀
P7 ₂	18	25	P3 ₃
TEST	19	24	P3 ₂
V _T	20	23	P3 ₁
VSS	21	22	P3 ₀







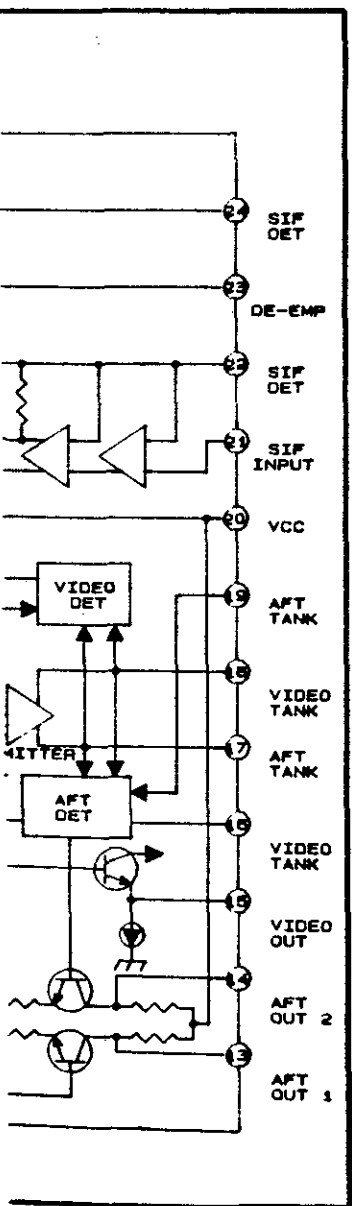
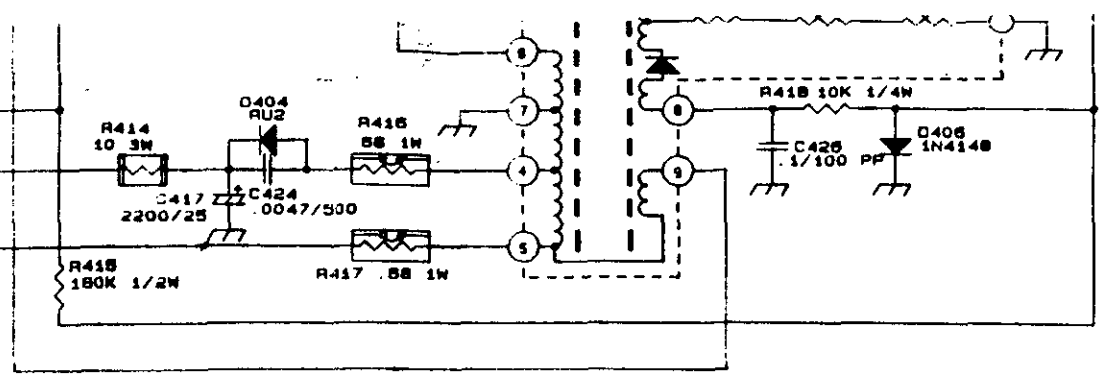
LOCAL COMMANDS FOR IC701

1. PIC (+)	13. 6
2. PIC (-)	14. 0
3. PIC (-)	15. CM (-)
4. VOL (-)	16. POWER
5. TIMEW	17. 3
6. 1	18. 7
7. 5	19. 1-
8. CM (+)	20. VOL (+)
10. MUTE	22. 4
11. TV/AV	23. 8
12. 2	24. 2-

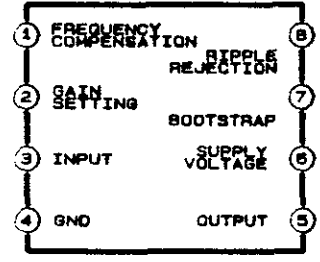
NOTE:

(1) ALL CAPACITORS ARE IN UF UNLESS OTHERWISE NOTE
 (2) ALL CAPACITORS ARE 50V UNLESS OTHERWISE NOTE;
 CAPACITORS NOT SPECIFICALLY DESIGNATED ARE CERAMIC CAPACITOR.
 # ELECTROLYTIC CAPACITOR
 BP BI-POLAR ELECTROLYTIC CAPACITOR
 T TANTALUM CAPACITOR

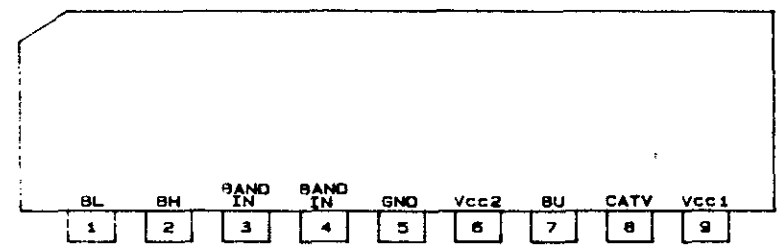
- # ELECTROLYTIC CAPACITOR
- BP BI-POLAR ELECTROLYTIC CAPACITOR
- T TANTALUM CAPACITOR
- M MYLAR CAPACITOR
- ME METALLIZED POLYESTER
- P POLYESTER FILM CAPACITOR
- PP POLYPROPYLENE CAPACITOR
- (3) ALL RESISTORS ARE IN OHM 1/16 W UNLESS OTHERWISE NOTED.
- (4) RESISTORS NOT SPECIFICALLY DESIGNATED ARE CARBON FILM RESISTORS.
- 
 - CARBON COMPOSITION RESISTOR
 - METAL OXIDE RESISTOR
 - CEMENT RESISTOR
 - FUSEBLE RESISTOR
- 
 - THERMISTOR
- (5) DC VOLTAGE ARE MEASURED FROM POINTS INDICATED TO THE CIRCUIT GROUND WITH A DIGITAL MULTIMETER TEST.
- (6) WAVEFORMS ARE TAKEN WITH SETTING CONTROLS TO A NORMAL CONDITIONS (COLOUR BAR PATTERN).
- (7) THIS CIRCUIT DIAGRAM IS SUBJECT TO CHANGE WITHOUT PRIOR NOTICE.
- (8) ON THE SCHEMATIC SHOULD BE REPLAED WITH EXACT MANUFACTURER RECOMMENED PARTS.



IC 201 TBA820M



IC101 LA7910



CTM 341